

**DC Public Library  
Local IT Budget Comparison**

**IT Budget**

Activity 1040	FY 2008	FY 2009	Difference		Difference FY09 to		Proposed FY2011	Difference	Difference
			FY08 to FY09	FY 2010	FY10	FY10 to FY11			
11	545,846.47	545,398.26	(448.21)	348,042.54	(197,355.72)	265,881.84	(82,160.70)	(279,964.63)	
12	19,494.15	2,319.16	(17,174.99)	79,959.00	77,639.84	73,562.28	(6,396.72)	54,068.13	
13	0.00	0.00	0.00	10,500.00	10,500.00	10,500.00	0.00	10,500.00	
14	104,310.43	92,007.49	(12,302.94)	79,907.89	(12,099.60)	70,672.27	(9,235.62)	(33,638.16)	
15	5,000.00	5,000.00	0.00	31,891.63	26,891.63	31,891.63	0.00	26,891.63	
<b>PS</b>	<b>674,651.05</b>	<b>644,724.91</b>	<b>(29,926.14)</b>	<b>550,301.06</b>	<b>(94,423.85)</b>	<b>452,508.02</b>	<b>(97,793.04)</b>	<b>(222,143.03)</b>	
20	40,000.00	42,000.00	2,000.00	38,355.00	(3,645.00)	29,000.00	(9,355.00)	(11,000.00)	
40	59,750.00	59,750.00	0.00	0.00	(59,750.00)	0.00	0.00	(59,750.00)	
41	283,000.00	427,000.00	144,000.00	439,793.00	12,793.00	238,230.00	(201,563.00)	(44,770.00)	
70	151,000.00	151,000.00	0.00	100,000.00	(51,000.00)	62,913.00	(37,087.00)	(88,087.00)	
<b>NPS</b>	<b>533,750.00</b>	<b>679,750.00</b>	<b>146,000.00</b>	<b>578,148.00</b>	<b>(101,602.00)</b>	<b>330,143.00</b>	<b>(248,005.00)</b>	<b>(203,607.00)</b>	
<b>Total</b>	<b>1,208,401.05</b>	<b>1,324,474.91</b>	<b>116,073.86</b>	<b>1,128,449.06</b>	<b>(196,025.85)</b>	<b>782,651.02</b>	<b>(345,798.04)</b>	<b>(425,750.03)</b>	

Act 5060/L450	FY 2008	FY 2009	Difference		Difference FY09 to		FY2011	Difference	Difference
			FY08 to FY09	FY 2010	FY10	FY10 to FY11			
11	479,337.95	501,312.66	21,974.71	371,322.56	(129,990.10)	285,615.32	(85,707.24)	(193,722.63)	
12	0.00	0.00	0.00	66,325.84	66,325.84	116,773.49	50,447.65	116,773.49	
13	25,927.00	25,927.00	0.00	6,000.00	(19,927.00)	6,000.00	0.00	(19,927.00)	
14	65,193.99	87,697.36	22,503.37	81,708.95	(5,988.41)	83,777.35	2,068.40	18,583.36	
15	2,116.00	2,116.00	0.00	0.00	(2,116.00)	0.00	0.00	(2,116.00)	
<b>PS</b>	<b>572,574.94</b>	<b>617,053.02</b>	<b>44,478.08</b>	<b>525,357.35</b>	<b>(91,695.67)</b>	<b>492,166.16</b>	<b>(33,191.19)</b>	<b>(80,408.78)</b>	
20	2,000.00	0.00	(2,000.00)	0.00	0.00	0.00	0.00	(2,000.00)	
40	5,000.00	5,000.00	0.00	0.00	(5,000.00)	0.00	0.00	(5,000.00)	
41	1,257,000.00	368,621.00	(888,379.00)	418,621.00	50,000.00	370,575.00	(48,046.00)	(886,425.00)	
70	1,176,656.00	1,334,035.00	157,379.00	432,097.00	(901,938.00)	308,860.00	(123,237.00)	(867,796.00)	
<b>NPS</b>	<b>2,440,656.00</b>	<b>1,707,656.00</b>	<b>(733,000.00)</b>	<b>850,718.00</b>	<b>(856,938.00)</b>	<b>679,435.00</b>	<b>(171,263.00)</b>	<b>(1,761,221.00)</b>	
<b>Total</b>	<b>3,013,230.94</b>	<b>2,324,709.02</b>	<b>(688,521.92)</b>	<b>1,376,075.35</b>	<b>(948,633.67)</b>	<b>1,171,601.16</b>	<b>(204,474.19)</b>	<b>(1,841,629.78)</b>	

Local IT Total	FY 2008	FY 2009	Difference		Difference FY09 to		FY2011	Difference	Difference
			FY08 to FY09	FY 2010	FY10	FY10 to FY11			
11	1,025,184.42	1,046,710.92	21,526.50	719,365.10	(327,345.82)	551,497.16	(167,867.94)	(473,687.26)	
12	19,494.15	2,319.16	(17,174.99)	146,284.84	143,965.68	190,335.77	44,050.93	170,841.62	
13	25,927.00	25,927.00	0.00	16,500.00	(9,427.00)	16,500.00	0.00	(9,427.00)	
14	169,504.42	179,704.85	10,200.43	161,616.84	(18,088.01)	154,449.62	(7,167.22)	(15,054.80)	
15	7,116.00	7,116.00	0.00	31,891.63	24,775.63	31,891.63	0.00	24,775.63	
<b>PS</b>	<b>1,247,225.99</b>	<b>1,261,777.93</b>	<b>14,551.94</b>	<b>1,075,658.41</b>	<b>(186,119.52)</b>	<b>944,674.18</b>	<b>(130,984.23)</b>	<b>(302,551.81)</b>	
20	42,000.00	42,000.00	0.00	38,355.00	(3,645.00)	29,000.00	(9,355.00)	(13,000.00)	
40	64,750.00	64,750.00	0.00	0.00	(64,750.00)	0.00	0.00	(64,750.00)	
41	1,540,000.00	795,621.00	(744,379.00)	858,414.00	62,793.00	608,805.00	(249,609.00)	(931,195.00)	
70	1,327,656.00	1,485,035.00	157,379.00	532,097.00	(952,938.00)	371,773.00	(160,324.00)	(955,883.00)	
<b>NPS</b>	<b>2,974,406.00</b>	<b>2,387,406.00</b>	<b>(587,000.00)</b>	<b>1,428,866.00</b>	<b>(958,540.00)</b>	<b>1,009,578.00</b>	<b>(419,288.00)</b>	<b>(1,964,828.00)</b>	
<b>Total</b>	<b>4,221,631.99</b>	<b>3,649,183.93</b>	<b>(572,448.06)</b>	<b>2,504,524.41</b>	<b>(1,144,659.52)</b>	<b>1,954,252.18</b>	<b>(550,272.23)</b>	<b>(2,267,379.81)</b>	
<b>% Variance</b>			<b>-13.6%</b>		<b>-31.4%</b>		<b>-22.0%</b>	<b>-53.7%</b>	

IT Budget		FTE Counts							
Activity 1040	FY 2008	FY 2009	Difference		Difference		Difference		Difference
			FY08 to FY09	FY 2010	FY09 to FY10	FY2011	FY10 to FY11	FY08 to FY11	
11	8.10	7.10	(1.00)	5.00	(2.10)	4.00	(1.00)	(4.10)	
12	0.13	0.00	(0.13)	1.00	1.00	1.00	0.00	0.87	
13			0.00		0.00		0.00	0.00	
14			0.00		0.00		0.00	0.00	
15			0.00		0.00		0.00	0.00	
PS	8.23	7.10	(1.13)	6.00	(1.10)	5.00	(1.00)	(3.23)	
20			0.00		0.00		0.00	0.00	
40			0.00		0.00		0.00	0.00	
41			0.00		0.00		0.00	0.00	
70			0.00		0.00		0.00	0.00	
NPS	0.00	0.00	0.00	0.00	0.00	0.00	0.00	0.00	
Total	8.23	7.10	(1.13)	6.00	(1.10)	5.00	(1.00)	(3.23)	

Act 5060/L450	FY 2008	FY 2009	Difference		Difference		Difference		Difference
			FY08 to FY09	FY 2010	FY09 to FY10	FY2011	FY10 to FY11	FY08 to FY11	
11	6.25	4.86	(1.39)	4.00	(0.86)	3.00	(1.00)	(3.25)	
12			0.00	1.00	1.00	2.00	1.00	2.00	
13			0.00		0.00		0.00	0.00	
14			0.00		0.00		0.00	0.00	
15			0.00		0.00		0.00	0.00	
PS	6.25	4.86	(1.39)	5.00	0.14	5.00	0.00	(1.25)	
20			0.00		0.00		0.00	0.00	
40			0.00		0.00		0.00	0.00	
41			0.00		0.00		0.00	0.00	
70			0.00		0.00		0.00	0.00	
NPS	0.00	0.00	0.00	0.00	0.00	0.00	0.00	0.00	
Total	6.25	4.86	(1.39)	5.00	0.14	5.00	0.00	(1.25)	

Local IT Total	FY 2008	FY 2009	Difference		Difference		Difference		Difference
			FY08 to FY09	FY 2010	FY09 to FY10	FY2011	FY10 to FY11	FY08 to FY11	
11	14.35	11.96	(2.39)	9.00	(2.96)	7.00	(2.00)	(7.35)	
12	0.13	0.00	(0.13)	2.00	2.00	3.00	1.00	2.87	
13	0.00	0.00	0.00	0.00	0.00	0.00	0.00	0.00	
14	0.00	0.00	0.00	0.00	0.00	0.00	0.00	0.00	
15	0.00	0.00	0.00	0.00	0.00	0.00	0.00	0.00	
PS	14.48	11.96	(2.52)	11.00	(0.96)	10.00	(1.00)	(4.48)	
20	0.00	0.00	0.00	0.00	0.00	0.00	0.00	0.00	
40	0.00	0.00	0.00	0.00	0.00	0.00	0.00	0.00	
41	0.00	0.00	0.00	0.00	0.00	0.00	0.00	0.00	
70	0.00	0.00	0.00	0.00	0.00	0.00	0.00	0.00	
NPS	0.00	0.00	0.00	0.00	0.00	0.00	0.00	0.00	
Total	14.48	11.96	(2.52)	11.00	(0.96)	10.00	(1.00)	(4.48)	
% Variance			-17.4%		-8.0%		-9.1%	-30.9%	

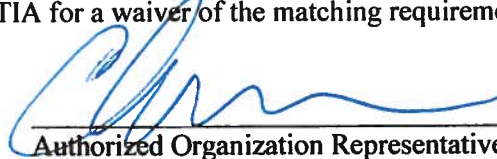
---

**U.S. Department of Commerce  
Broadband Technology Opportunities Program  
Authentication and Certifications**

---

1. I certify that I am the duly Authorized Organization Representative (AOR) of the applicant organization, and that I have been authorized to submit the attached application on its behalf.
2. I certify that I have examined this application, that all of the information and responses in this application, including certifications, and forms submitted, all of which are part of this grant application, are material representations of fact and true and correct to the best of my knowledge, that the entity(ies) that is requesting grant funding pursuant to this application and any subgrantees and subcontractors will comply with the terms, conditions, purposes, and federal requirements of the grant program; that no kickbacks were paid to anyone; and that a false, fictitious, or fraudulent statements or claims on this application are grounds for denial or termination of a grant award, and/or possible punishment by a fine or imprisonment as provided in 18 U.S.C. §1001 and civil violations of the False Claims Act.
3. I certify that the entity(ies) I represent has and will comply with all applicable federal, state, and local laws, rules, regulations, ordinances, codes, orders and programmatic rules and requirements relating to the project. I acknowledge that failure to do so may result in rejection or deobligation of the grant or loan award. I acknowledge that failure to comply with all federal and program rules could result in civil or criminal prosecution by the appropriate law enforcement authorities.
4. I certify that the entity(ies) I represent has and will comply with all applicable administrative and federal statutory, regulatory, and policy requirements set forth in the Department of Commerce Pre-Award Notification Requirements for Grants and Cooperative Agreements ("DOC Pre-Award Notification"), published in the Federal Register on February 11, 2008 (73 FR 7696), as amended; DOC Financial Assistance Standard Terms and Conditions (Mar. 8, 2009); the Department of Commerce American Recovery and Reinvestment Act Award Terms (Apr. 9, 2009); and any Special Award Terms and Conditions that are included by the Grants Officer in the award.
5. I certify that any funds awarded to the entity(ies) I represent as a result of this application will not result in any unjust enrichment of such entity(ies) or duplicate any funds such entity(ies) receives under federal universal service support programs administered by the Universal Service Administrative Corporation (USAC).
6. I certify that the entity(ies) I represent has secured access to pay the 20% of total project cost or has petitioned the Assistant Secretary of NTIA for a waiver of the matching requirement.

3/10/2010  
Date

  
Authorized Organization Representative Signature

Christopher Toujes  
Print Name

Director of Information Technology  
Title

## **BTOP Public Computer Center and Sustainable Broadband Detailed Budget**

Please complete the Detailed Budget, breaking out individual line items under each category heading (add rows to each section as necessary to accommodate your line items). Please ensure line item total columns in the "General" and "Detail" sections are equal for each line item (a cell with a yellow highlight indicates an inconsistency). Also, you may utilize the provided space for additional notes, if desired (there is also a Budget Narrative question in the application in which you will provide narrative detail on this budget).

Specifics needed for each cost category line item:

**Personnel:** For each position, list the number of positions, the location or geography of position, the job/task responsibilities for the position, the annual salary, and the percent of time a person filling the position will spend working on the proposed BTOP project. For lines with more than one position, the Quarters Employed field should represent number of quarters per person (*e.g.*, for two employees each working for one year, Quarters Employed should be 4 rather than 8).

**Fringe:** For each position, note the number of positions, the annual salary, the percent of time a person filling this position will spend working on the proposed BTOP project, and the fringe rate applicable to the position. For lines with more than one position, the Quarters Employed field should represent number of quarters per person (*e.g.* for two employees each working for one year, Quarters Employed should be 4 rather than 8).

**Equipment:** List all equipment units required for the project and provide program purpose. For each line item, note the number of units and the unit cost. The multiple of these two factors will yield the total for that line item. For example, an Applicant planning to buy 100 laptops at \$500/laptop would have a total line item cost of \$50,000. Again, although unit costs may include cents, once multiplied by the number of units, the result must be rounded to the nearest whole dollar. Clearly separate Applicant equipment and user equipment, as indicated in the detailed budget template. When providing the unit cost indicate whether the unit cost has been impacted by a discount and for software equipment list specific package names.

**Travel:** For each trip list the program purpose of the trip, destination city and the number of people traveling. For each line item (*e.g.*, trip), note the number of trips and the cost per trip. The multiple of these two factors will yield the total for that line item. For example, if the Applicant was accounting for 10 trips at \$25 per trip, the total cost would be \$250. The cost per trip should be justified on its own, *not* derived by dividing the line item total by the number of trips. Such a calculation will prompt further inquiry from the reviewers about justification for the trip cost. Rather, the *total* trip cost should be derived from the number of trips *times* the justifiable cost per trip.

**Supplies:** Separate supplies by item type, describing the program purpose or use. For each line item, note the number of units and the unit costs. The multiple of these two factors will yield the total for that line item. For example, an Applicant planning to buy 20 boxes of printer paper at \$30/box would have a total line item cost of \$600. Again, although unit costs may include cents, once multiplied by the number of units, the result must be rounded to the nearest whole dollar.

**Other:** Separate item types; for awareness program cost items, such as ads, separate ad types (radio, newspaper, etc) and include geography in which they will run.

**Contractual:** For each line item, identify the contractor and note the number of contracted hours of service.

and hourly rate, if applicable. For example, an Applicant planning to hire a technology consultant for 100 hours at a rate of \$40/hour would have a total line item cost of \$4,000.

Indirect: Provide the indirect rate and basis used. In the space provided at the bottom of the page, briefly explain the calculation used to derive the indirect costs (including the indirect rate and basis included in the basis). If a negotiated indirect cost rate agreement exists and is being used, please identify the cognizant agency.

The category subtotals for this Detailed Budget should correspond to the data provided in your SF-424A, and both the SF-424 budget and this Detailed Budget should match the Federal Grant Request and Total Match Amount provided on the Project Budget page of the application. Please review both budget uploads, the budget narrative in the application, and the Project Budget page for consistency before submitting the application. If you are submitting a PCC project with a SF-424C instead of an SF-424A, the sections of this Detailed Budget will not align directly with the categories of the SF-424C, but you should complete this Detailed Budget, allocating costs to the appropriate cost categories.

The data provided via this template will be subject to automated processing. Applicants are therefore required to provide this upload as an Excel file, and not to convert it to a PDF prior to upload. Additionally, applicants should not modify the format of this file.

e that  
all

will

lling

or two

on  
ed to  
ent

line  
ie  
would  
plied  
ite  
|  
.

tiple

e

per

note  
that  
ld  
ed by

s (TV,

service

int for

ige  
what  
please

ur SF-

ase  
age  
n SF-

ie

o

**BTOP Public Computer Center and Sustainable Broadband Adoption  
Detailed Budget Template**

Easy Grants ID: **5118**  
 Applicant: **DC Public Library**  
 Project Title: **DC-Community Computing Resources ("DC-CCR")**

SF-424A Object Class Category	General				Detail				
	Position	Federal Support	Matching Support	Total	# of Positions	Salary	% Time Spent on Project	Quarters Employed	Total
<b>a. Personnel</b> - List position, number of staff, annual salaries, % time spent on project				\$0.00					\$0.00
				\$0.00					\$0.00
				\$0.00					\$0.00
				\$0.00					\$0.00
<b>Subtotal</b>		<b>\$0.00</b>	<b>\$0.00</b>	<b>\$0.00</b>					

b. Fringe Benefits - Include salaries and fringe rate.	Position	Federal Support	Matching Support	Total	# of Positions	Salary	% Time Spent on Project	Quarters Employed	Fringe Rate	Total
				\$0.00						\$0.00
				\$0.00						\$0.00
				\$0.00						\$0.00
				\$0.00						\$0.00
<b>Subtotal</b>		<b>\$0.00</b>	<b>\$0.00</b>	<b>\$0.00</b>						

c. Travel - For significant costs, include details such as number and purpose of trips, destinations.	Purpose of Trip	Federal Support	Matching Support	Total	# of Trips	Cost per Trip	Total
				\$0.00			\$0.00
				\$0.00			\$0.00
				\$0.00			\$0.00
				\$0.00			\$0.00
<b>Subtotal</b>		<b>\$0.00</b>	<b>\$0.00</b>	<b>\$0.00</b>			

d. Equipment Costs - List equipment with # of units and unit costs. Distinguish between equipment intended for applicant use versus equipment for the end user.	Equipment Description	Federal Support	Matching Support	Total	#Units	Unit Cost	Total
<b>Applicant Equipment</b>							
DC Public Library System	Dell Desktops and 21"LCD Monitor w/MS Office	\$163,068.00	\$71,182.00	\$234,250.00	250	\$937.00	\$234,250.00
	Apple MacBooks and IMacs w/21" Monitor and w/MS Office	\$181,300.00	\$77,700.00	\$259,000.00	250	\$1,036.00	\$259,000.00
	Lenovo or Acer Laptops	\$52,500.00	\$22,500.00	\$75,000.00	100	\$750.00	\$75,000.00
	Mobile Training Stations	\$6,300.00	\$2,700.00	\$9,000.00	5	\$1,800.00	\$9,000.00
	LCD Projectors	\$3,150.00	\$1,350.00	\$4,500.00	5	\$900.00	\$4,500.00
	Smartboards	\$10,500.00	\$4,500.00	\$15,000.00	5	\$3,000.00	\$15,000.00
	Heavy Duty B&W Printers HPLJ3005X or equivalent	\$5,600.00	\$2,400.00	\$8,000.00	10	\$800.00	\$8,000.00
	Tandberg Video Conferencing Equipment	\$175,000.00	\$75,000.00	\$250,000.00	1	\$250,000.00	\$250,000.00
	Ciso Catalyst 3560 GB series switch	\$262,500.00	\$112,500.00	\$375,000.00	50	\$7,500.00	\$375,000.00
	Cisco 4500 Series card modules	\$56,000.00	\$24,000.00	\$80,000.00	16	\$5,000.00	\$80,000.00
	Other Computer Equipment (mouses,keyboards,cables,toner)	\$5,320.00	\$2,280.00	\$7,600.00	80	\$95.00	\$7,600.00
	Other Equipment	\$4,543.00	\$1,947.00	\$6,490.00	1	\$6,490.00	\$6,490.00





<b>i. Total Direct Charges (sum of a-h)</b>	<b>\$1,553,310.00</b>	<b>\$667,000.00</b>	<b>\$2,220,310.00</b>
<b>j. Indirect Charges</b>			<b>\$0.00</b>
<b>Total Eligible Project Costs</b>	<b>\$1,553,310.00</b>	<b>\$667,000.00</b>	<b>\$2,220,310.00</b>
<b>Match Percentage</b>	<b>30.0%</b>		

Explanation of Indirect Charges

Additional Budget Notes

GOVERNMENT OF THE DISTRICT OF COLUMBIA  
HISTORIC PRESERVATION OFFICE



March 9, 2010

Mr. Kenneth Boley  
Office of the Chief Technology Officer  
Director, Intergovernmental Initiatives  
Government of the District of Columbia  
441 4th Street, NW, Suite 930S  
Washington, DC 20001

RE: Proposed Broadband Stimulus Application for Public Computing Centers, Washington DC

Dear Mr. Boley:

The DC State Historic Preservation Office (SHPO) has reviewed the above-referenced undertaking in accordance with Section 106 of the National Historic Preservation Act and is writing to provide comments regarding effects on historic properties.

We understand that this program will be limited to replacing and augmenting existing computers and that the only new computer centers that will be provided are slated for two new libraries that are currently under construction. Therefore, we have determined that this undertaking will have “no adverse effect” on historic properties.

If you should have any questions or comments regarding this matter, please contact me at [andrew.lewis@dc.gov](mailto:andrew.lewis@dc.gov) or 202-442-8841. Otherwise, we thank you for providing this opportunity to review and comment.

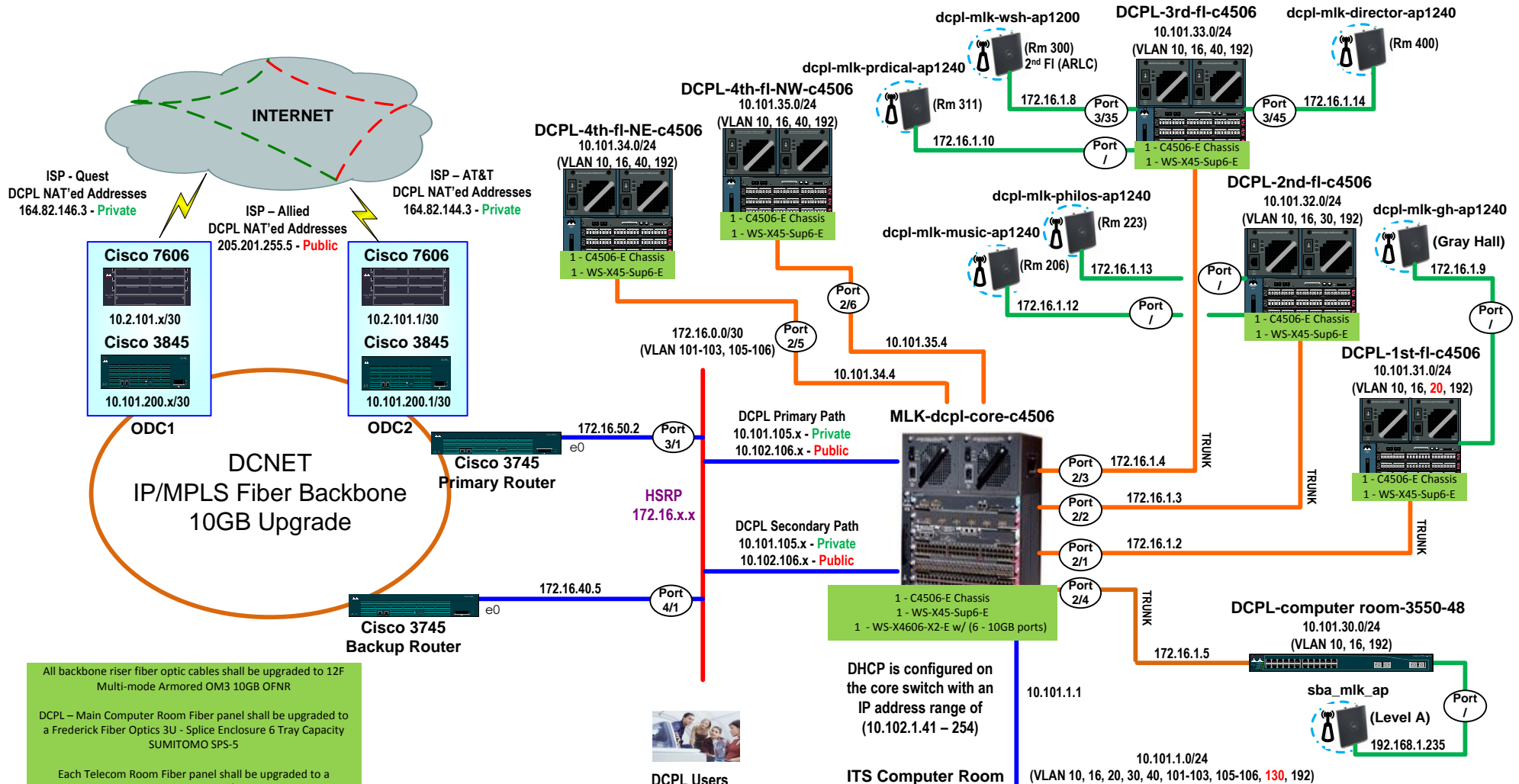
Sincerely,

A handwritten signature in blue ink, appearing to read 'Andrew Lewis'.

C. Andrew Lewis  
Senior Historic Preservation Specialist  
DC State Historic Preservation Office

10-100

# DCPL - MLK NETWORK TOPOLOGY



All backbone riser fiber optic cables shall be upgraded to 12F Multi-mode Armored OM3 10GB OFNR

DCPL - Main Computer Room Fiber panel shall be upgraded to a Frederick Fiber Optics 3U - Splice Enclosure 6 Tray Capacity SUMITOMO SPS-5

Each Telecom Room Fiber panel shall be upgraded to a Frederick Fiber Optics 12-Port Panel w/ adapters, pigtaills and splice trays-Fusioned, as well as a Splice Tray 12 Single Fusion 7.25 x 5.25 x 0.4

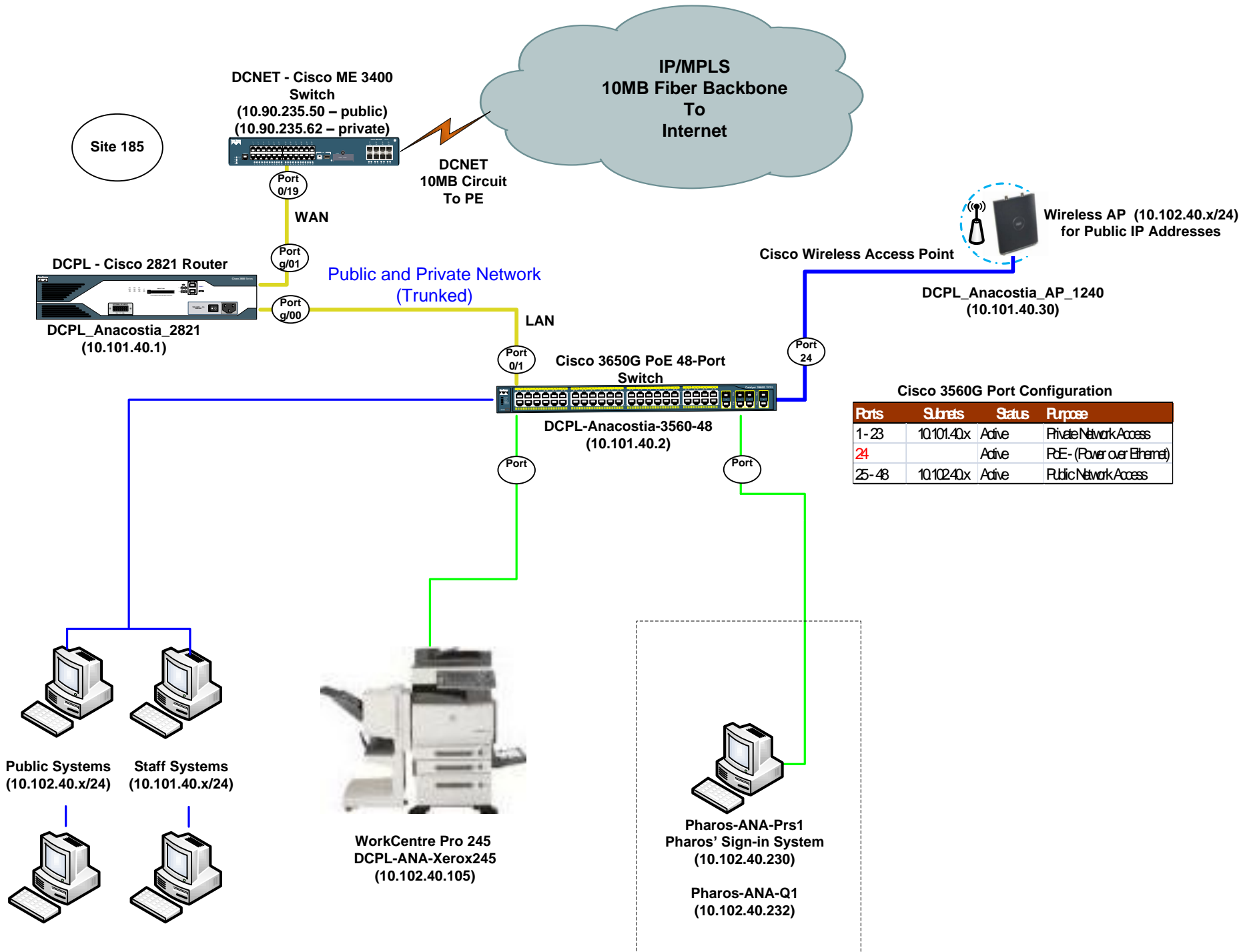


DCPL Users

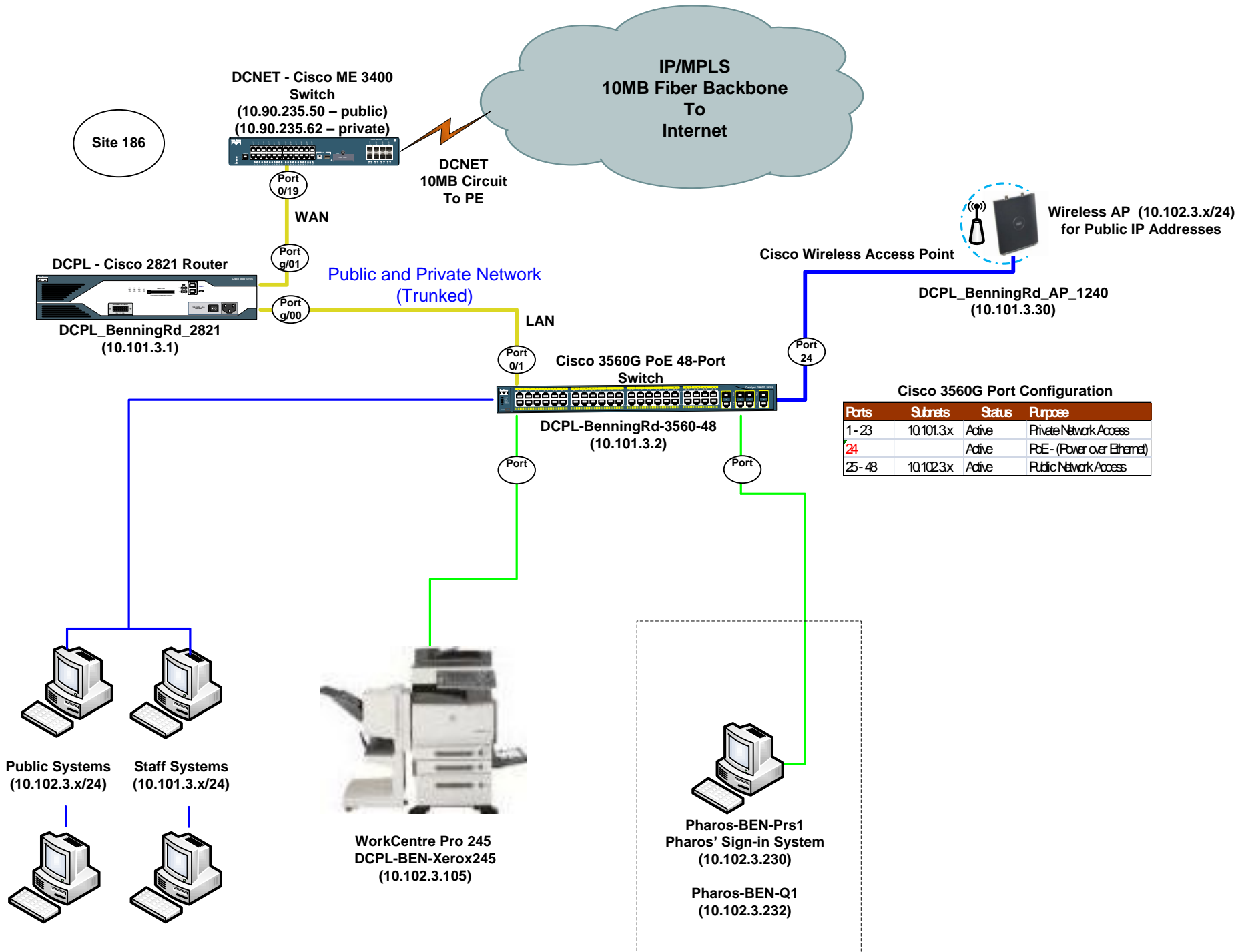
(Access to Pharos database (10.102.1.230) and Sirsi database (10.101.100.10) at MLK Library, as well as the internet (<http://www.dclibrary.org>) and intranet (<http://dcpl.in.dc.gov>) websites at OCTO's datacenter).

VLAN	Subnets	Status	Purpose
10	10.101.1.x	Active	Basement, 1st FL Staff and Cisco Aironet Wireless APs
16	10.101.30.x	Active	ADT Security
20	10.101.32.x	Active	2nd FL Staff
30	10.101.33.x	Active	3rd FL Staff
40	10.101.34.x	Active	4th FL Staff
101-103	172.16.50.x	Active	Router VLAN
105	10.101.105.x	Active	NAT for Private Network Routing
106	10.102.106.x	Active	NAT for Public Network Routing
130	151.200.130.x	Not Active	N/A
192	10.102.1.x	Active	Public Access

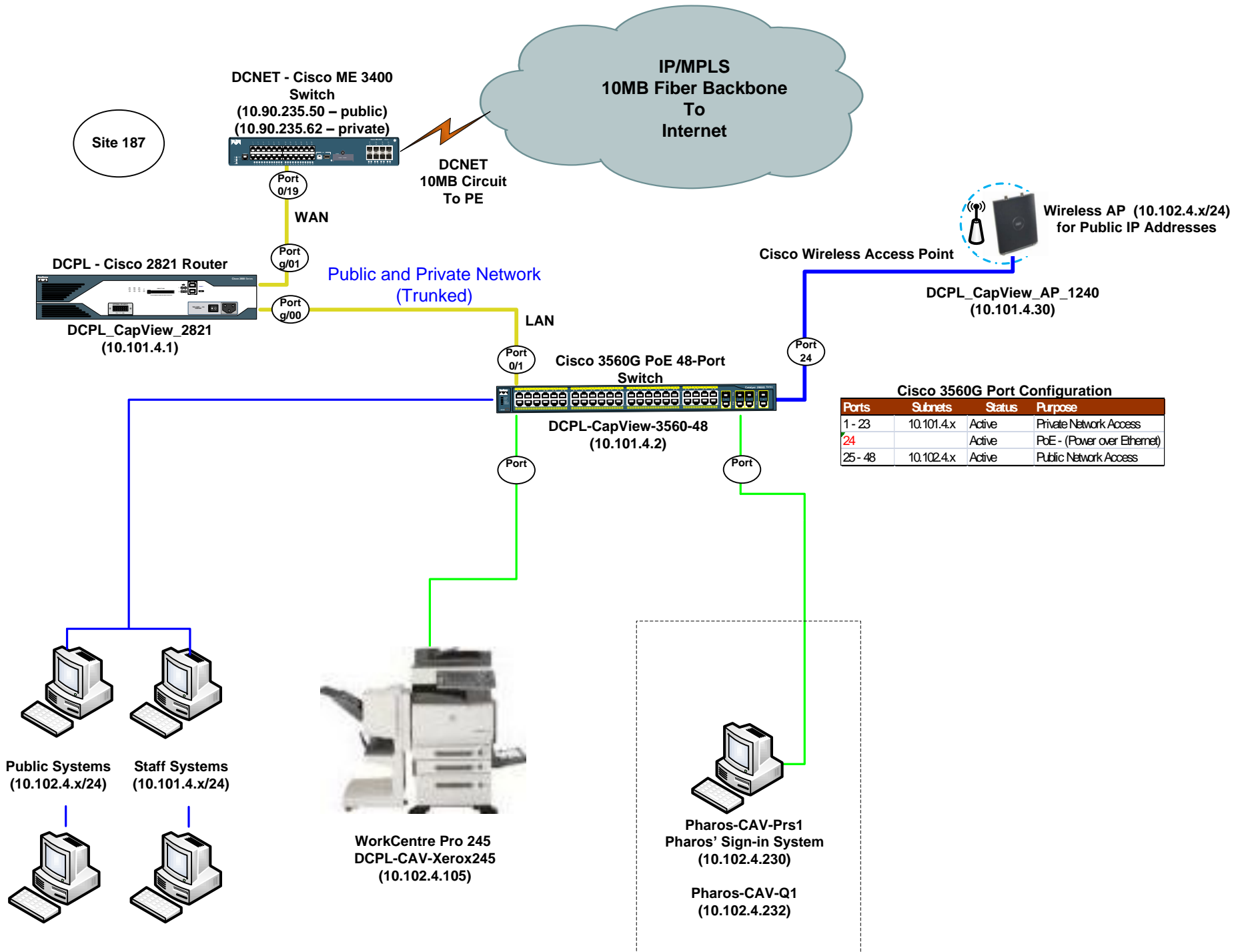
Greg Flowers  
 Custom Integrated Solutions  
 Rev 1.0  
 DCPL Network Topology\_10GB Upgrade\_Rev1.vsd  
 Orig Date: 12/03/07  
 Rev Date: 03/11/10



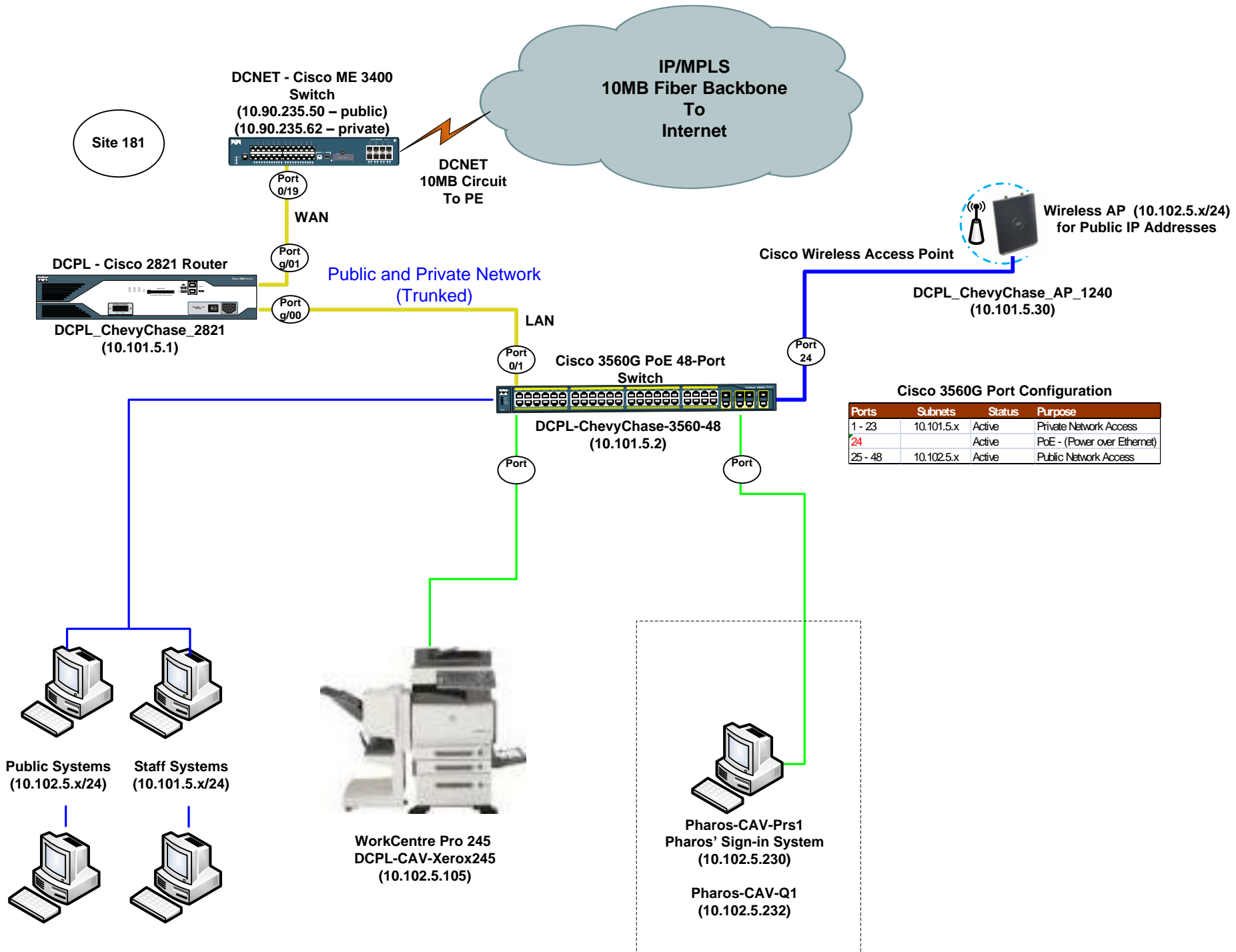
**DCPL – Anacostia Network Diagram - Gigabit Upgrade - (as of 04-Mar-2010)**



**DCPL – Benning Rd Network Diagram - Gigabit Upgrade - (as of 04-Mar-2010)**

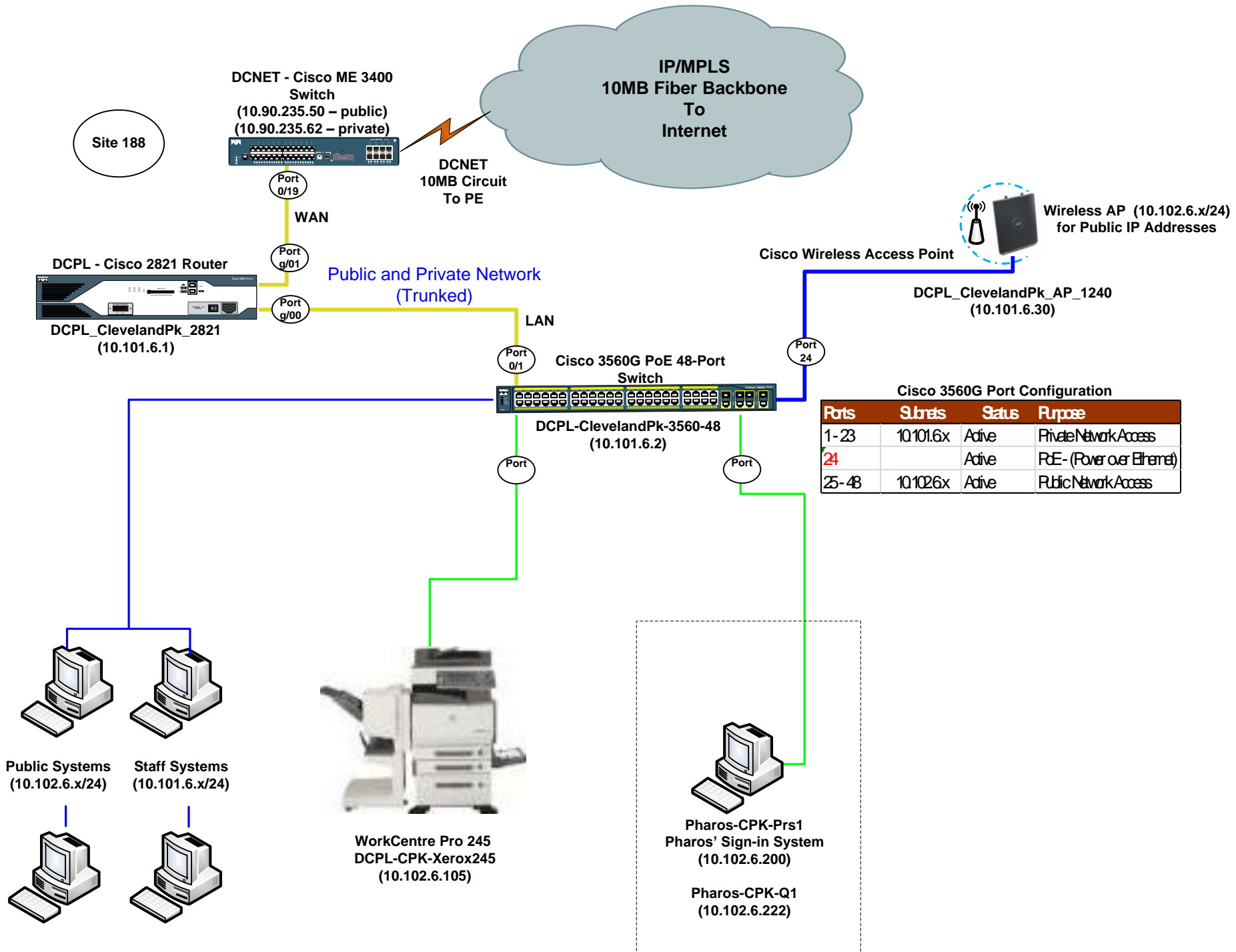


**DCPL – Capitol View Network Diagram - Gigabit Upgrade - (as of 04-Mar-2010)**

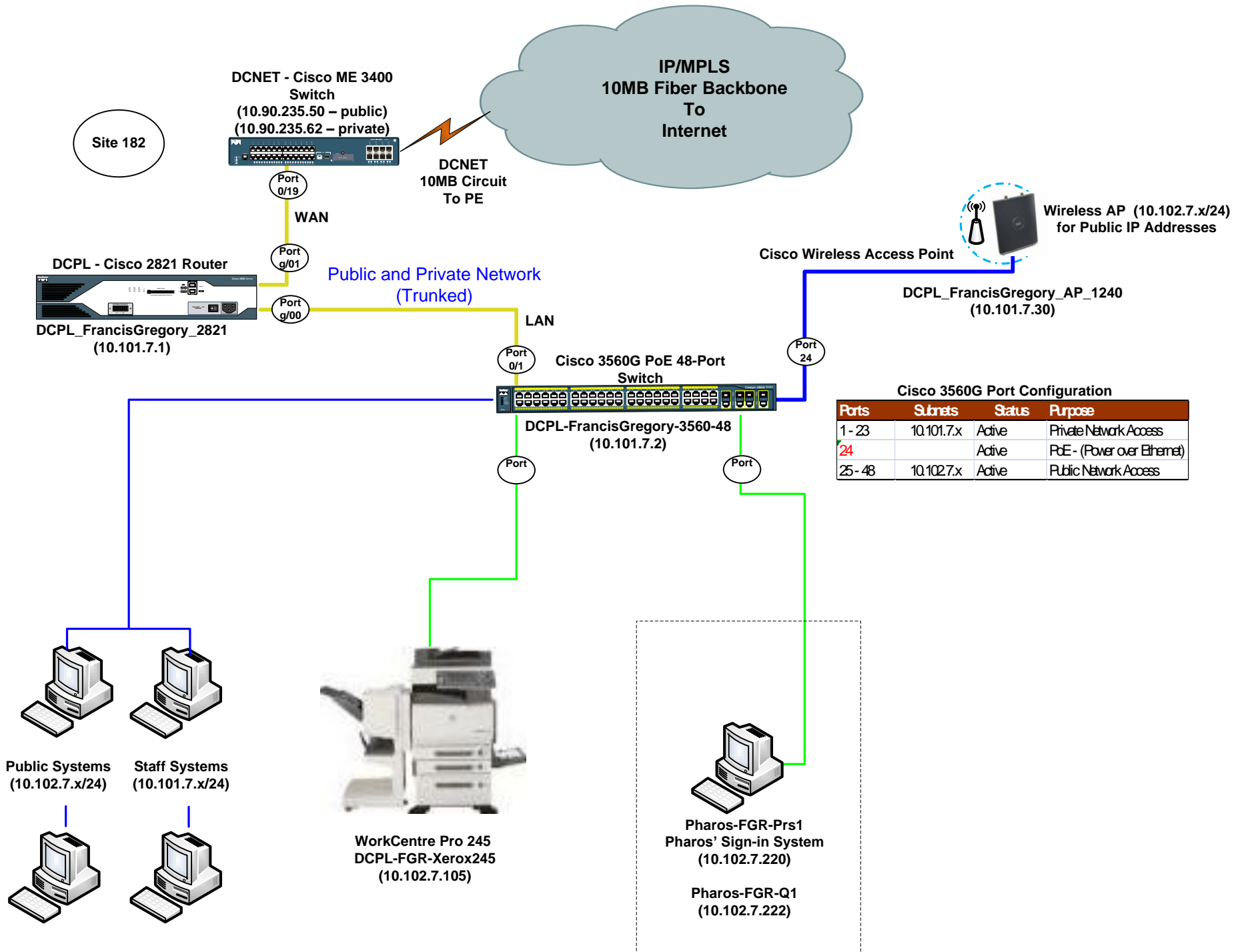


**DCPL – Chevy Chase Network Diagram - Gigabit Upgrade - (as of 04-Mar-2010)**





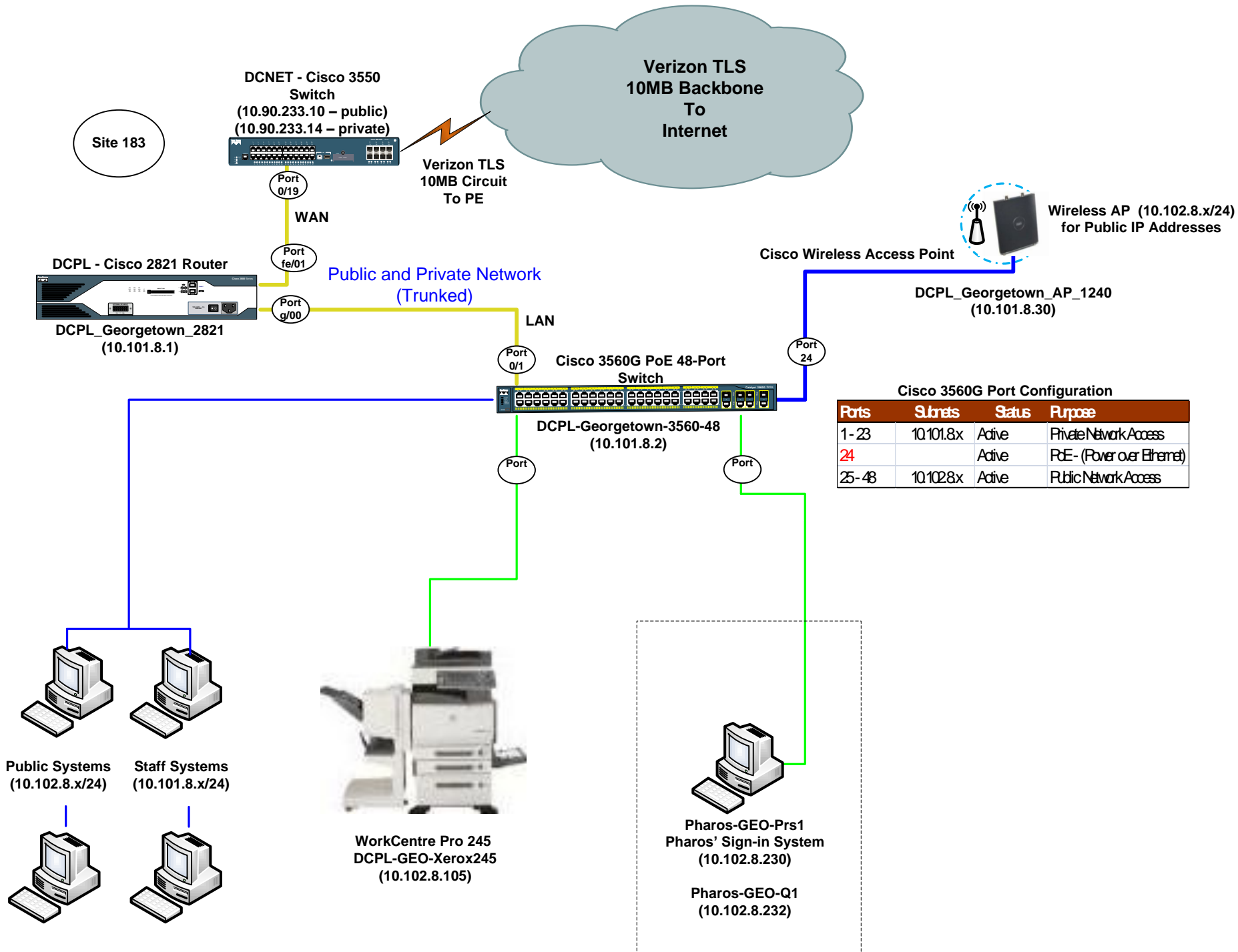
**DCPL – Cleveland Park Network Diagram - Gigabit Upgrade - (as of 04-Mar-2010)**



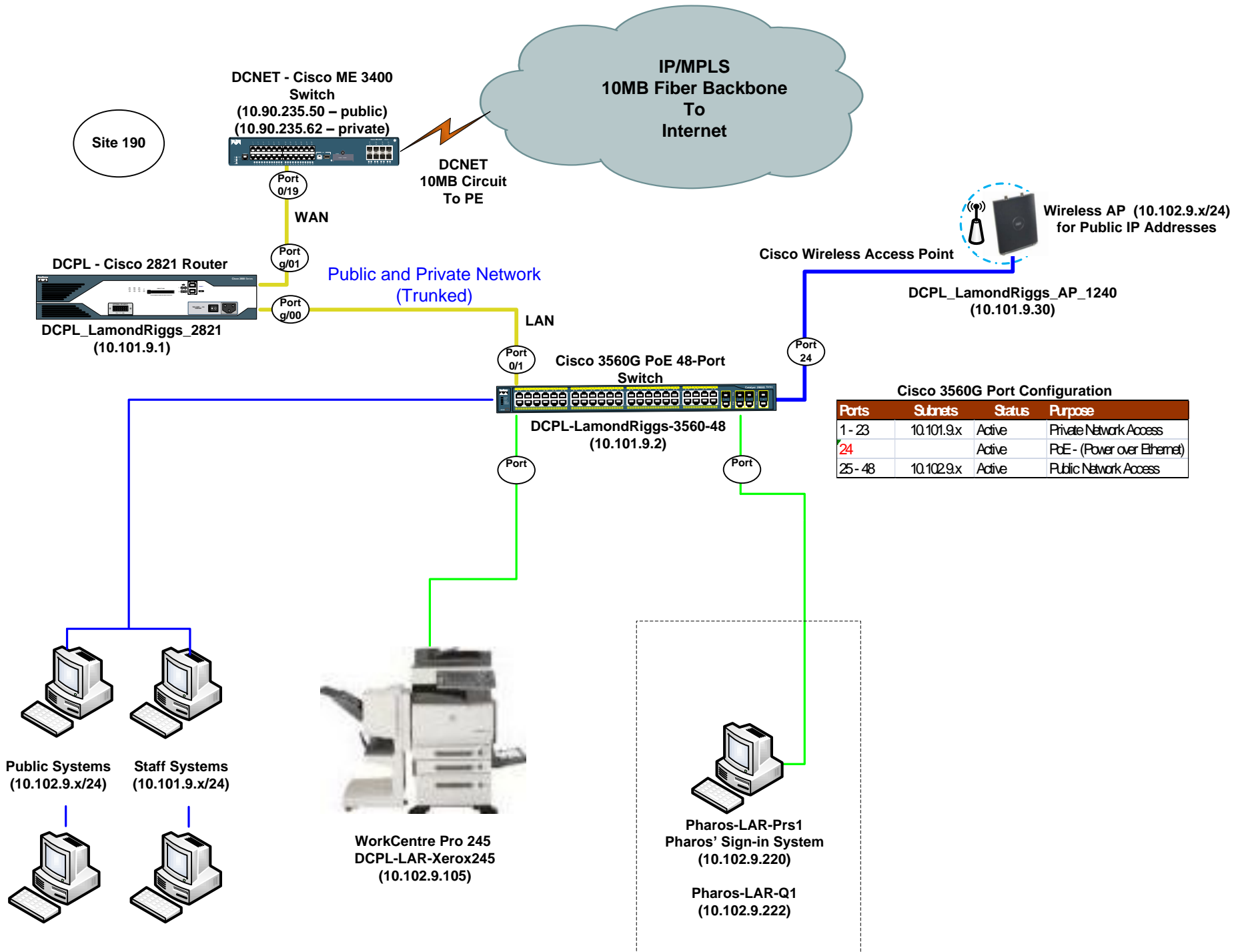
**Cisco 3560G Port Configuration**

Ports	Subnets	Status	Purpose
1 - 23	10.101.7.x	Active	Private Network Access
24		Active	PoE - (Power over Ethernet)
25 - 48	10.102.7.x	Active	Public Network Access

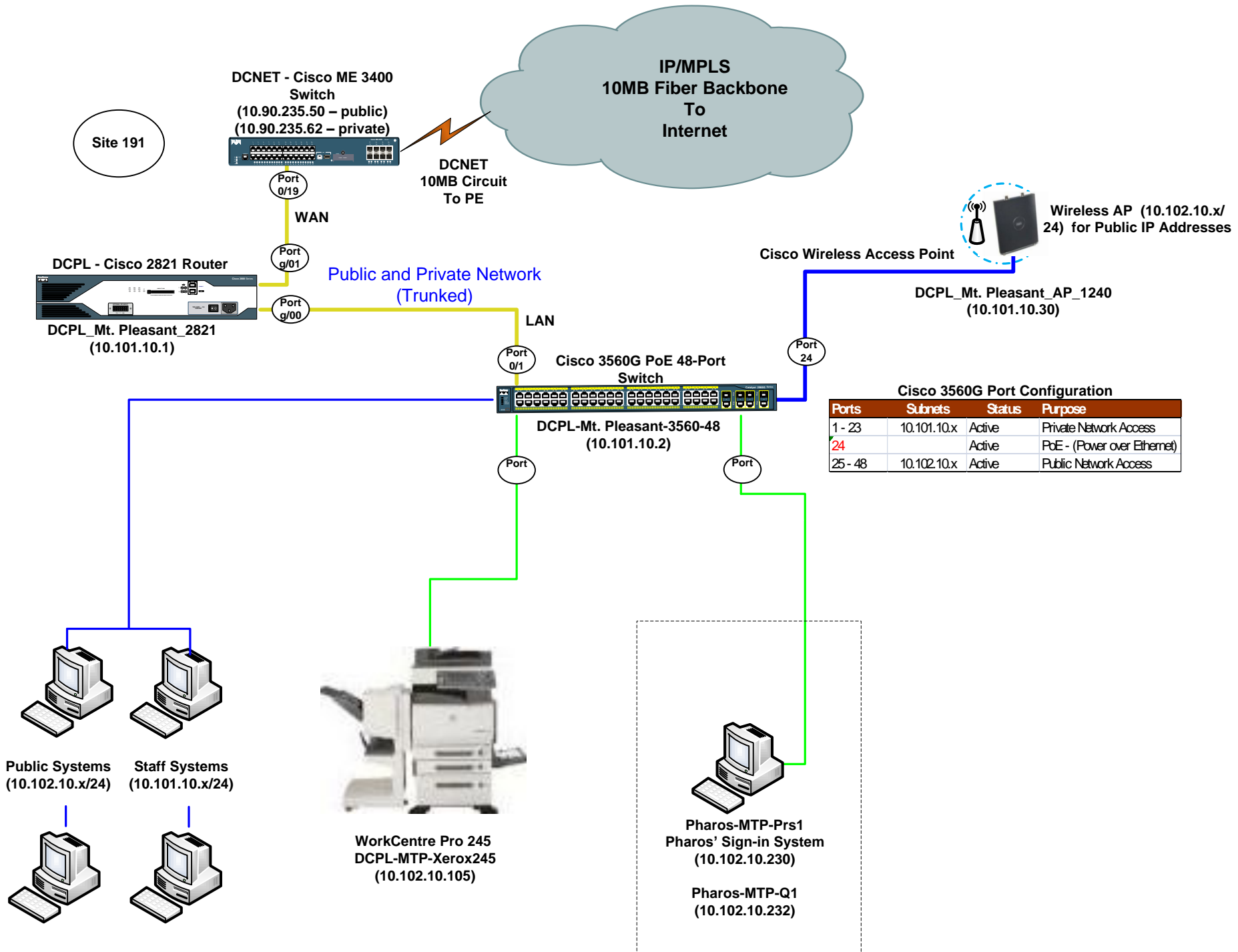
**DCPL – Francis Gregory Network Diagram - Gigabit Upgrade - (as of 04-Mar-2010)**



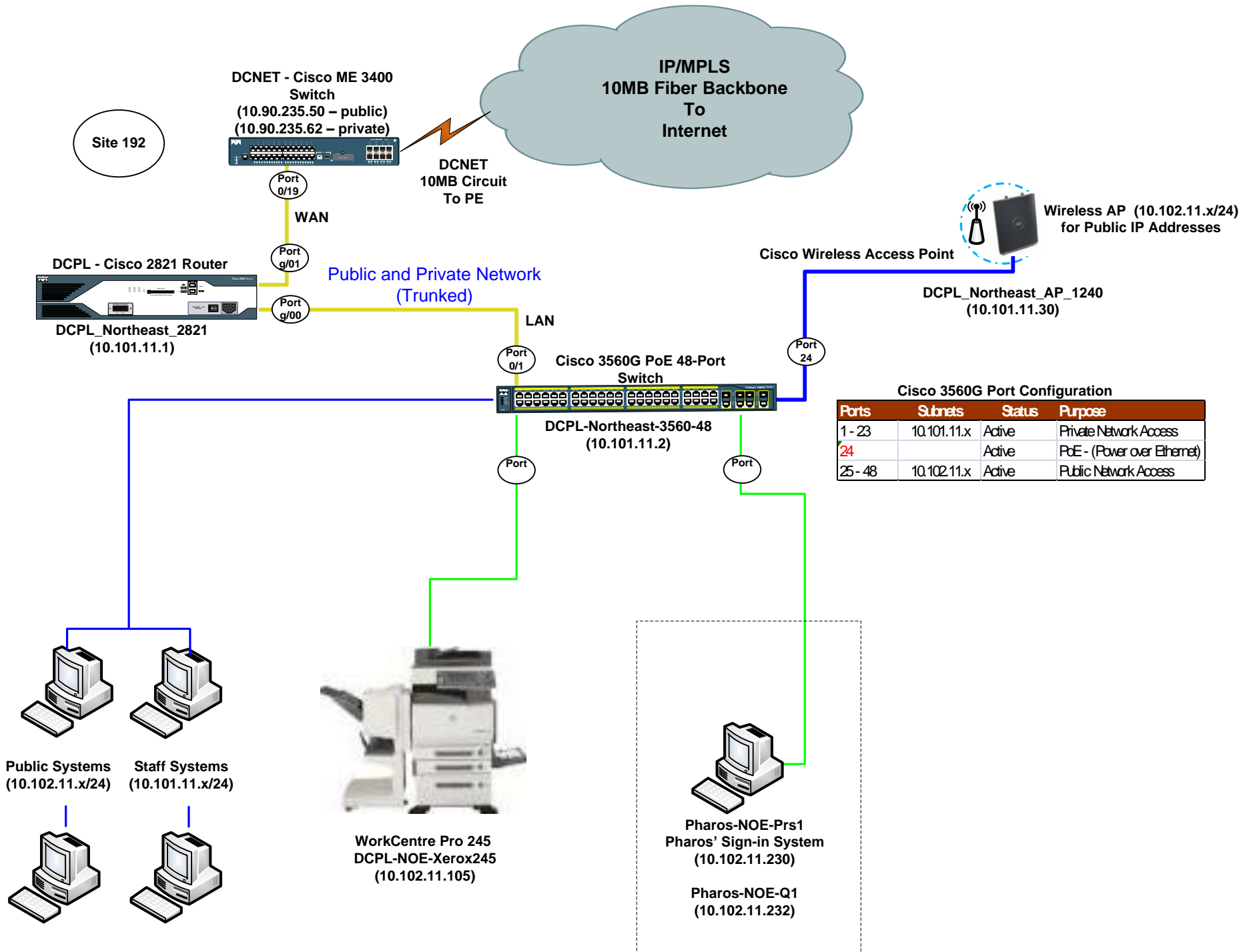
DCPL – Georgetown Network Diagram - Gigabit Upgrade - (as of 04-Mar-2010)



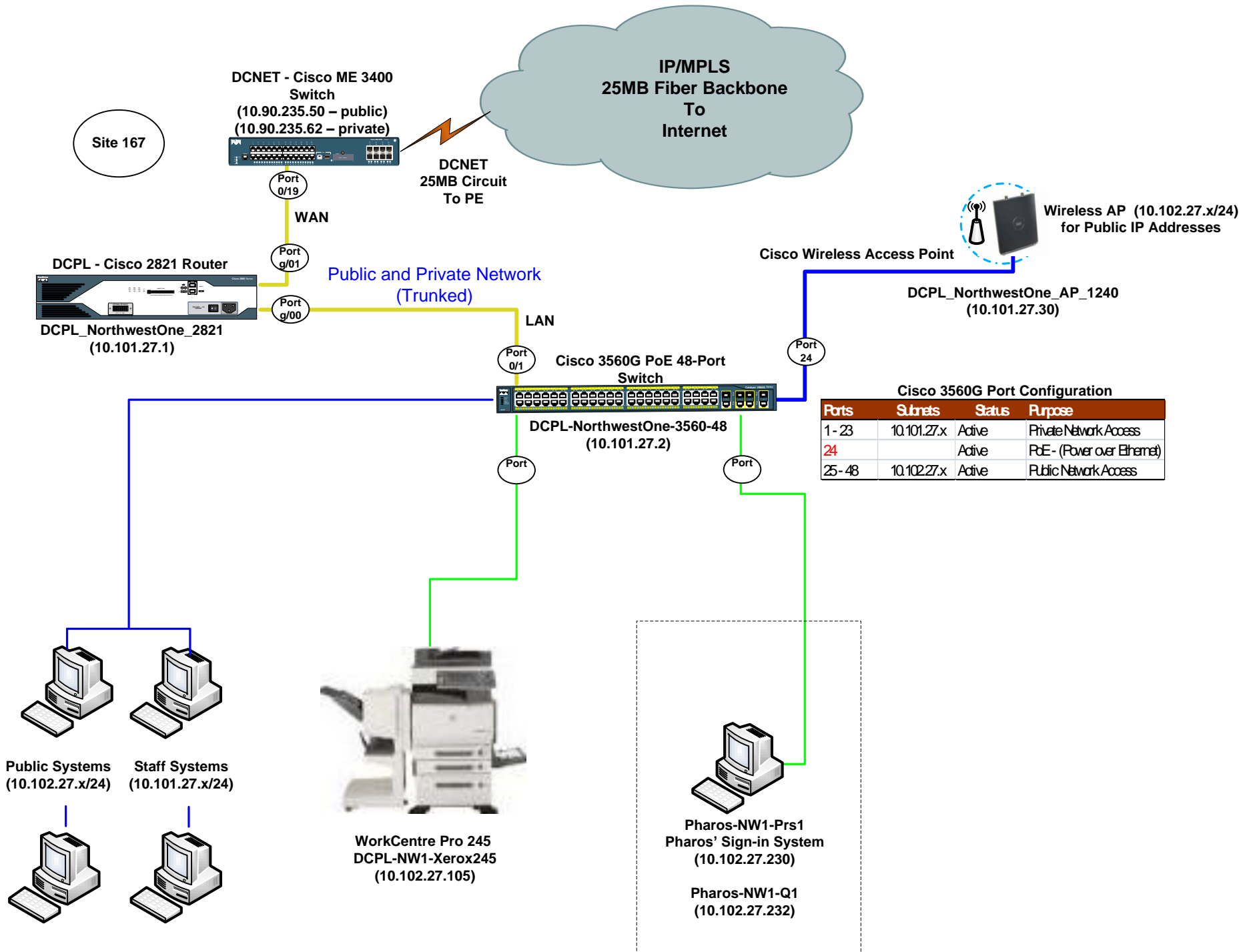
**DCPL – Lamond Riggs Network Diagram - Gigabit Upgrade - (as of 04-Mar-2010)**



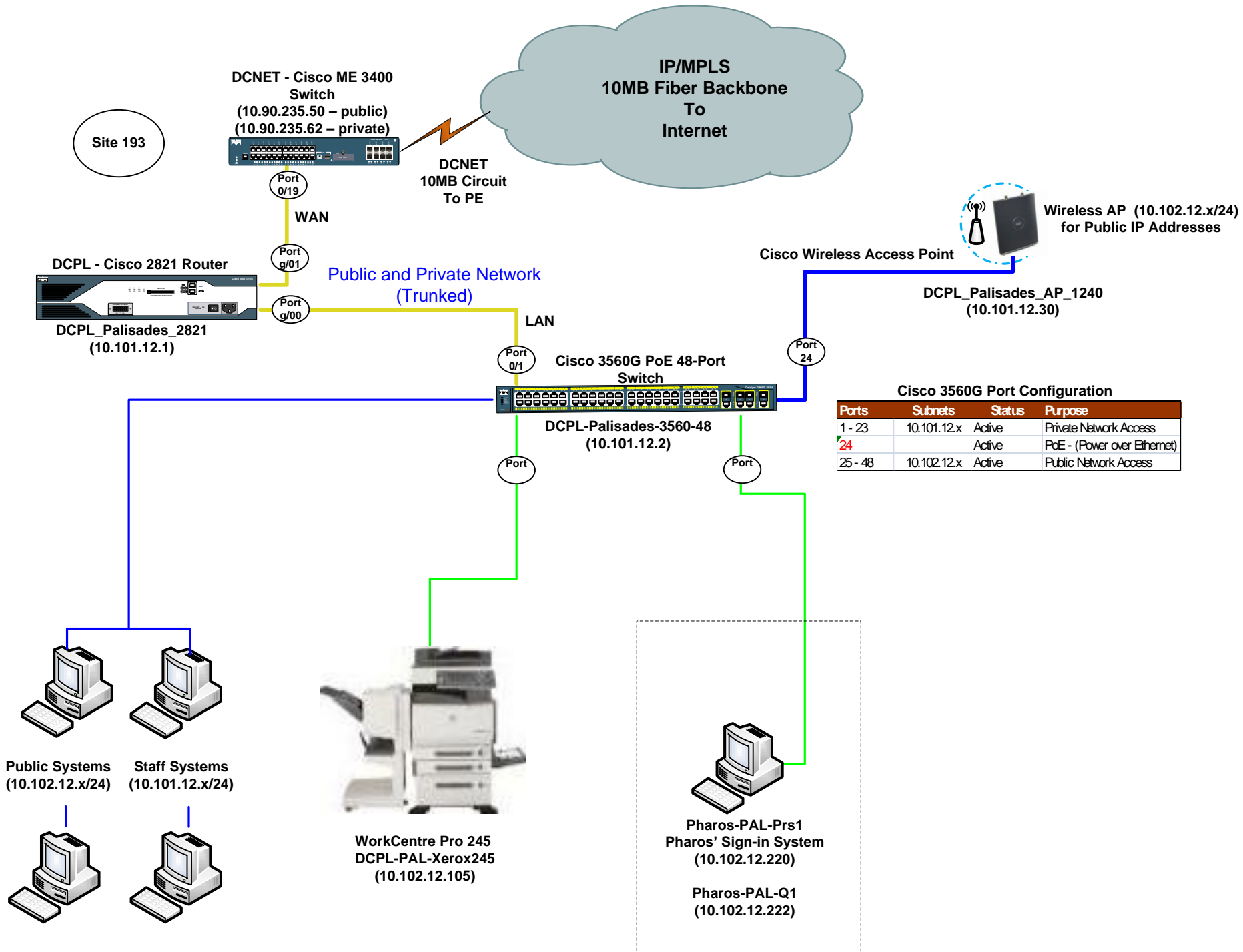
**DCPL – Mt. Pleasant Network Diagram - Gigabit Upgrade - (as of 04-Mar-2010)**



**DCPL – Northeast Network Diagram - Gigabit Upgrade - (as of 04-Mar-2010)**

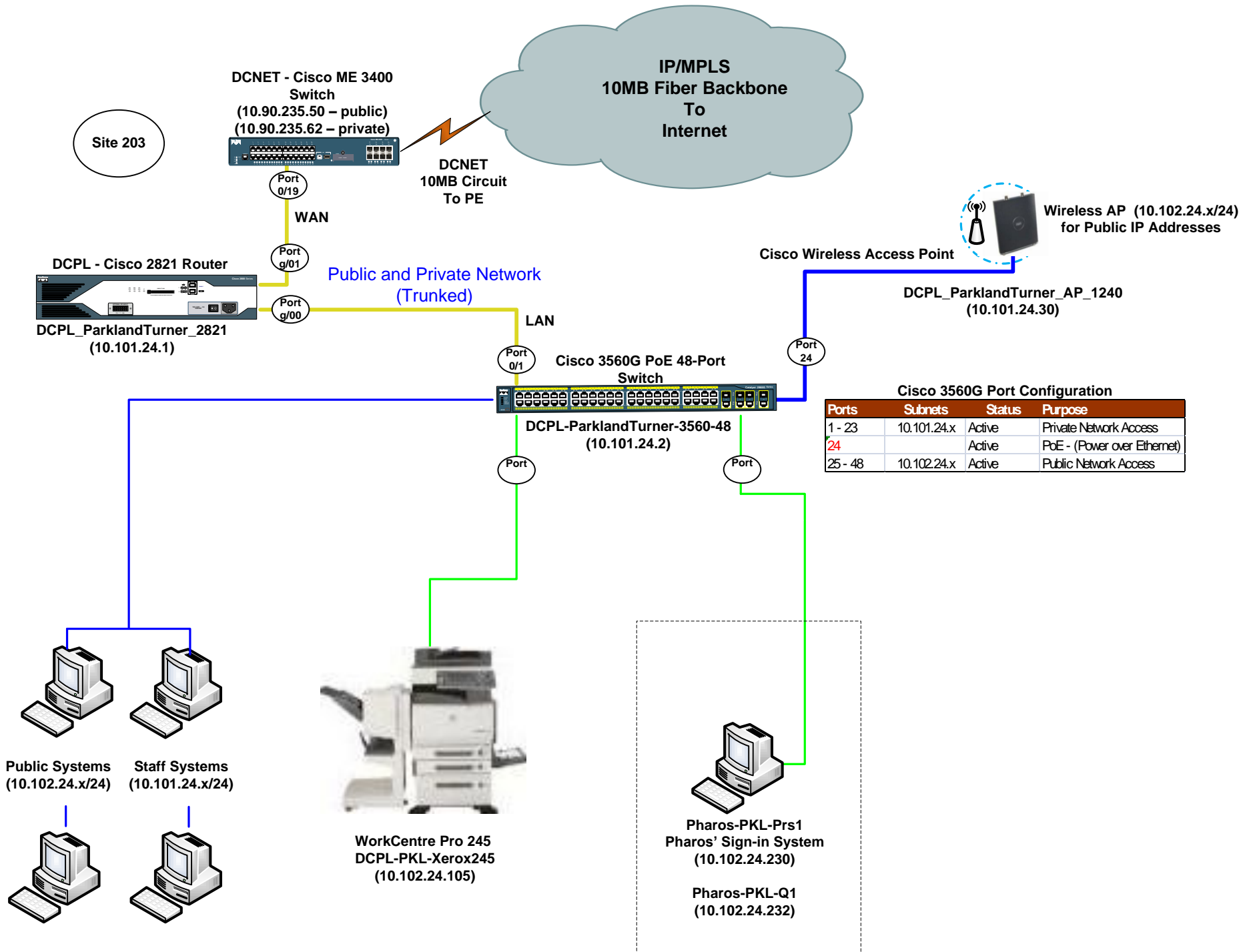


**DCPL – Northwest One Network Diagram - Gigabit Upgrade - (as of 04-Mar-2010)**

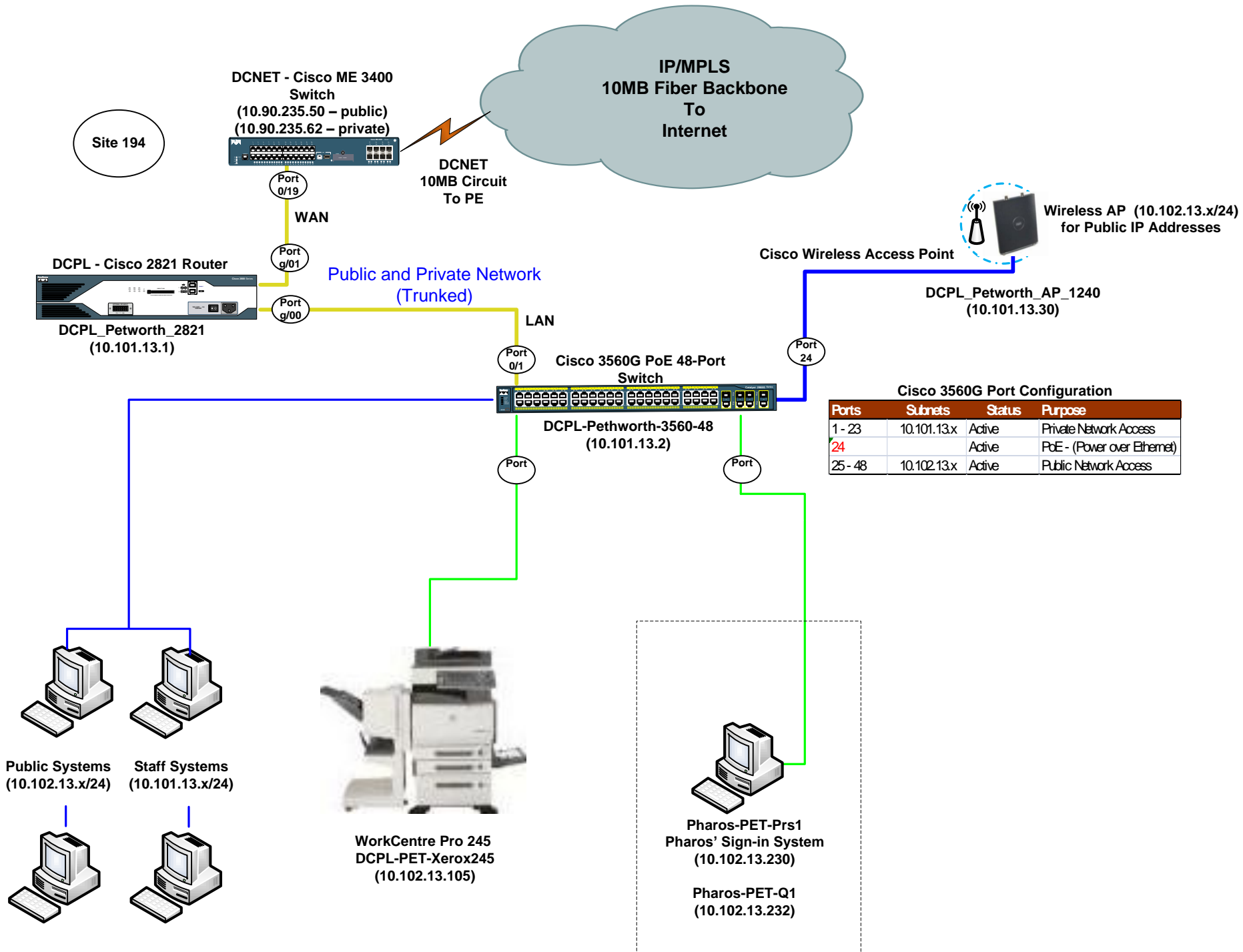


**DCPL – Palisades Network Diagram - Gigabit Upgrade - (as of 04-Mar-2010)**





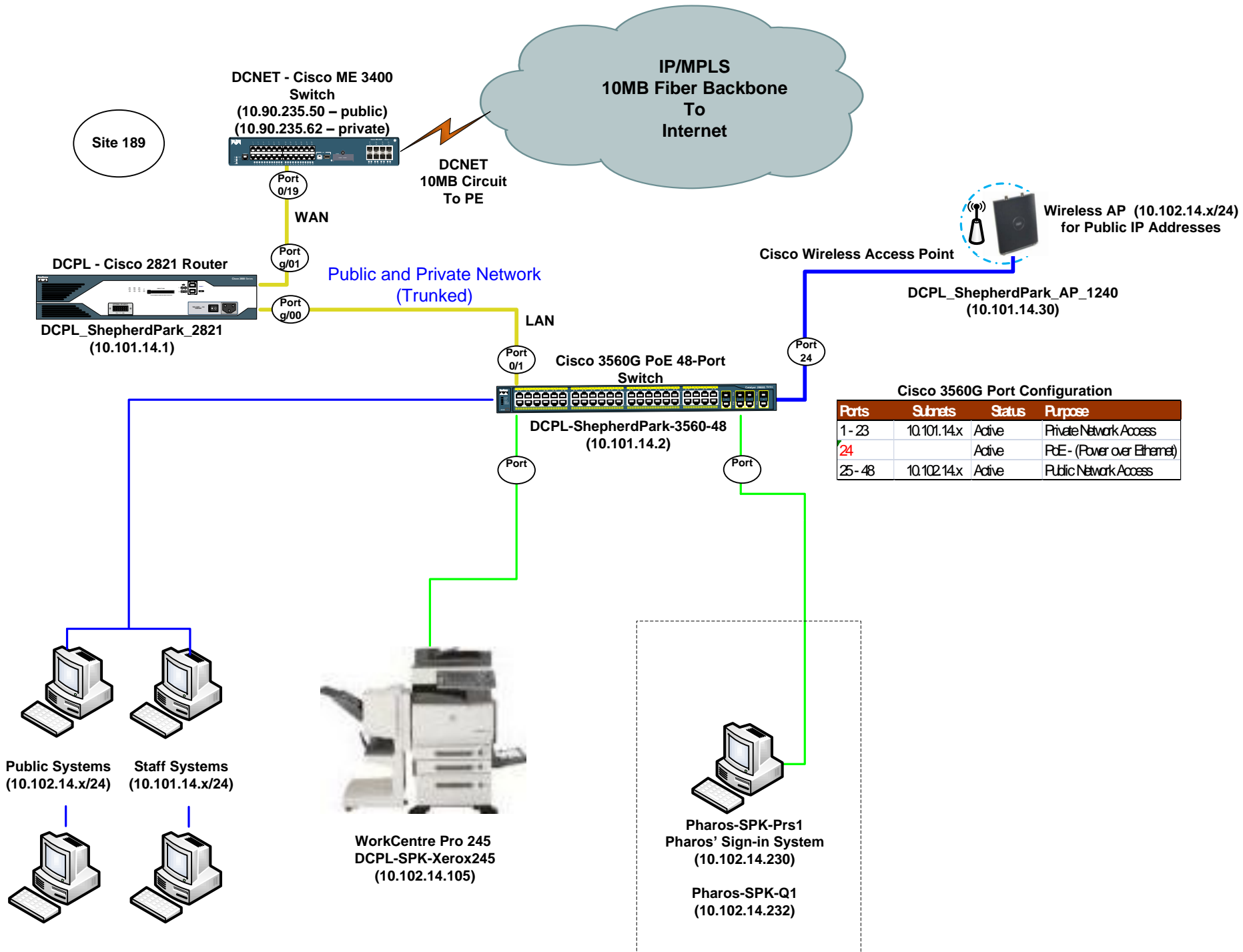
**DCPL – Parkland-Turner Network Diagram - Gigabit Upgrade - (as of 04-Mar-2010)**



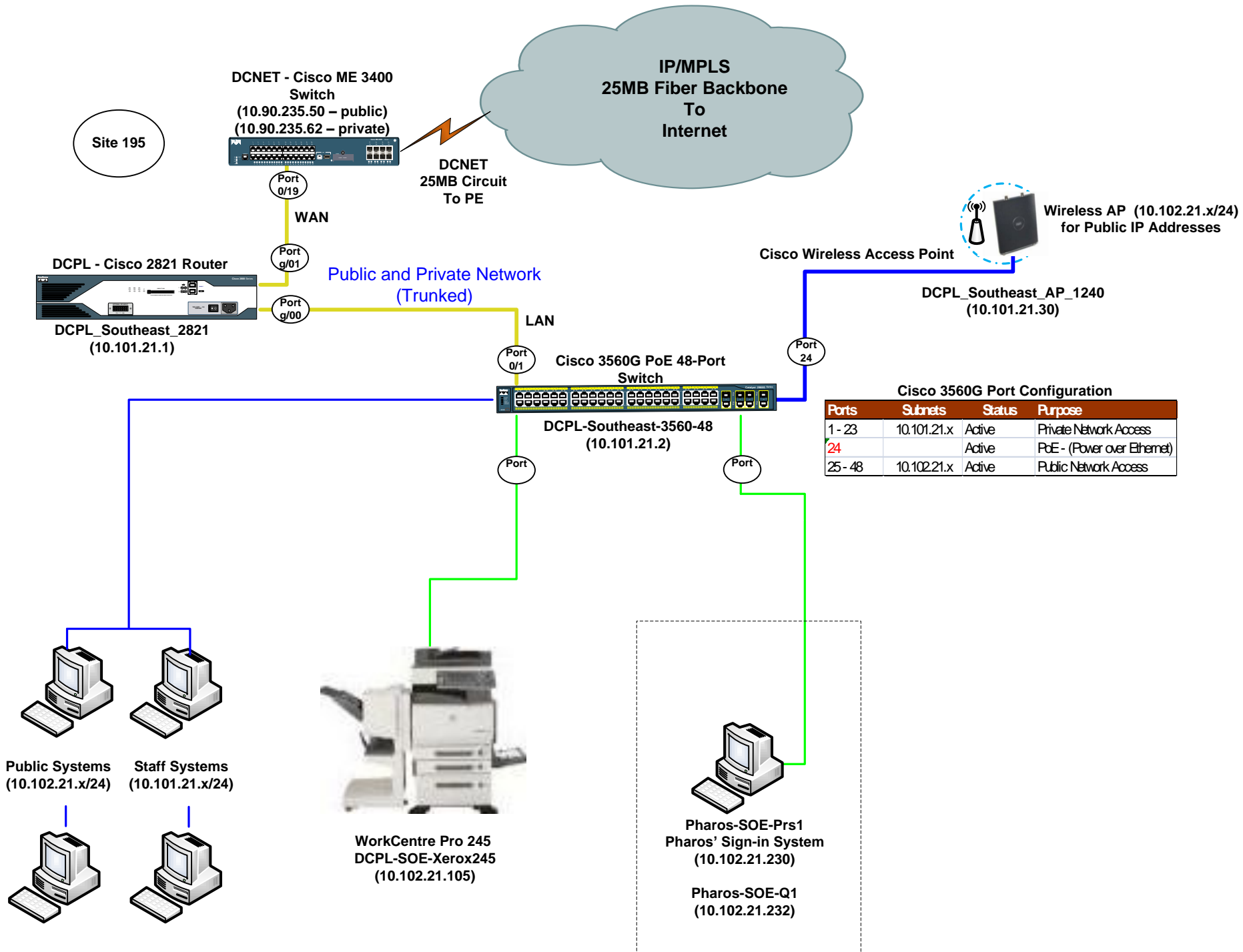
**Cisco 3560G Port Configuration**

Ports	Subnets	Status	Purpose
1 - 23	10.101.13.x	Active	Private Network Access
24		Active	PoE - (Power over Ethernet)
25 - 48	10.102.13.x	Active	Public Network Access

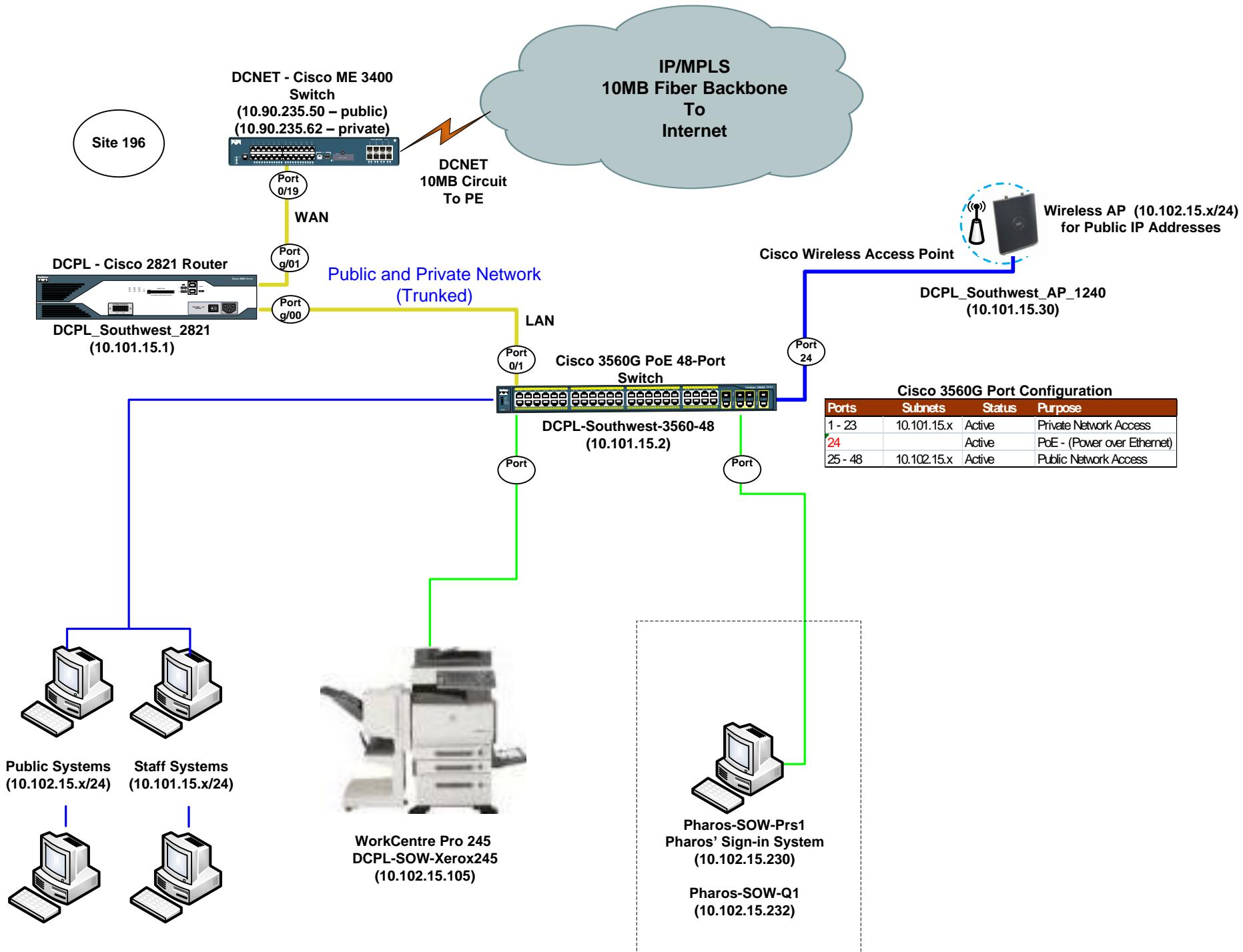
**DCPL – Petworth Network Diagram - Gigabit Upgrade - (as of 04-Mar-2010)**



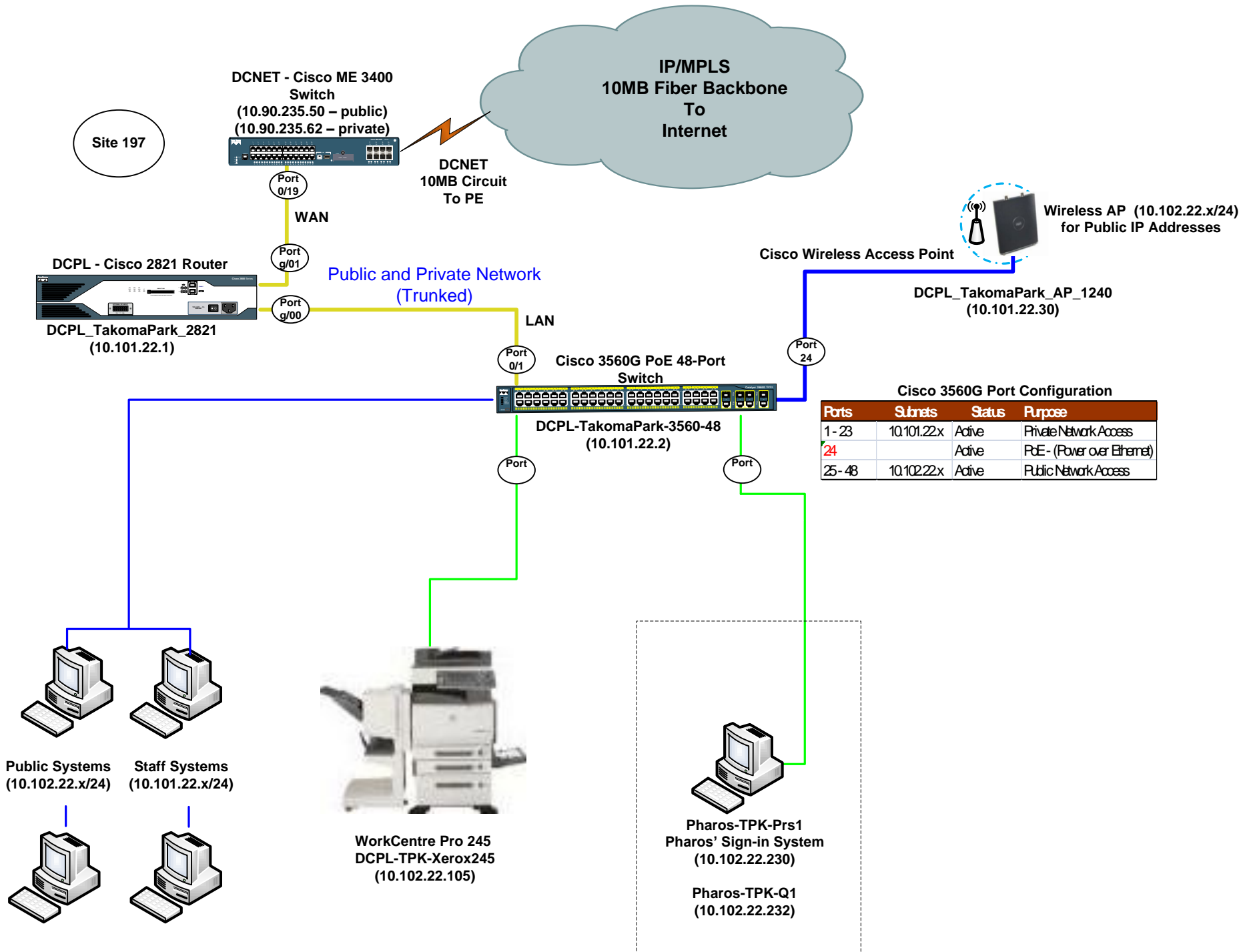
**DCPL – Shepherd Park Network Diagram - Gigabit Upgrade - (as of 04-Mar-2010)**



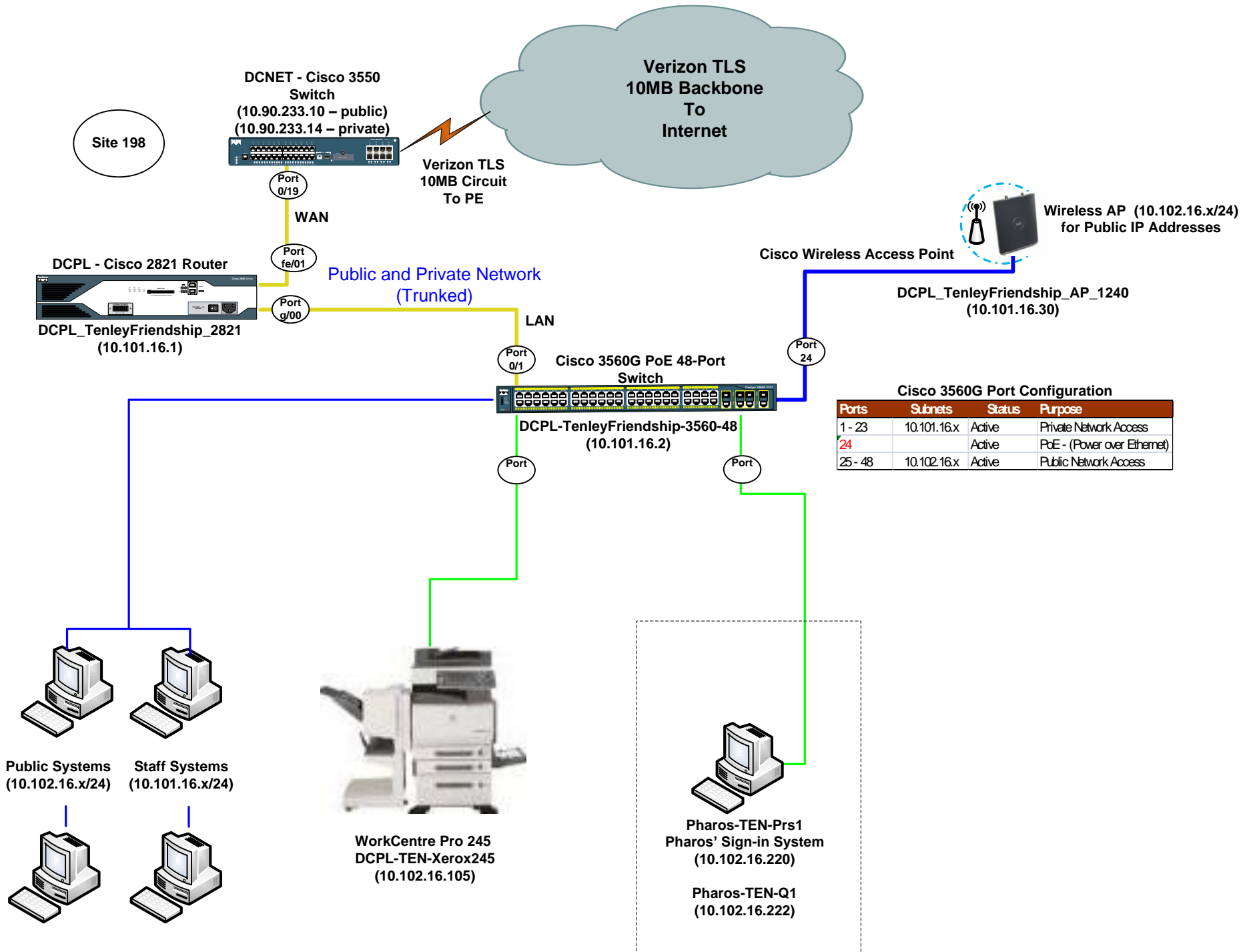
**DCPL – Southeast Network Diagram - Gigabit Upgrade - (as of 04-Mar-2010)**



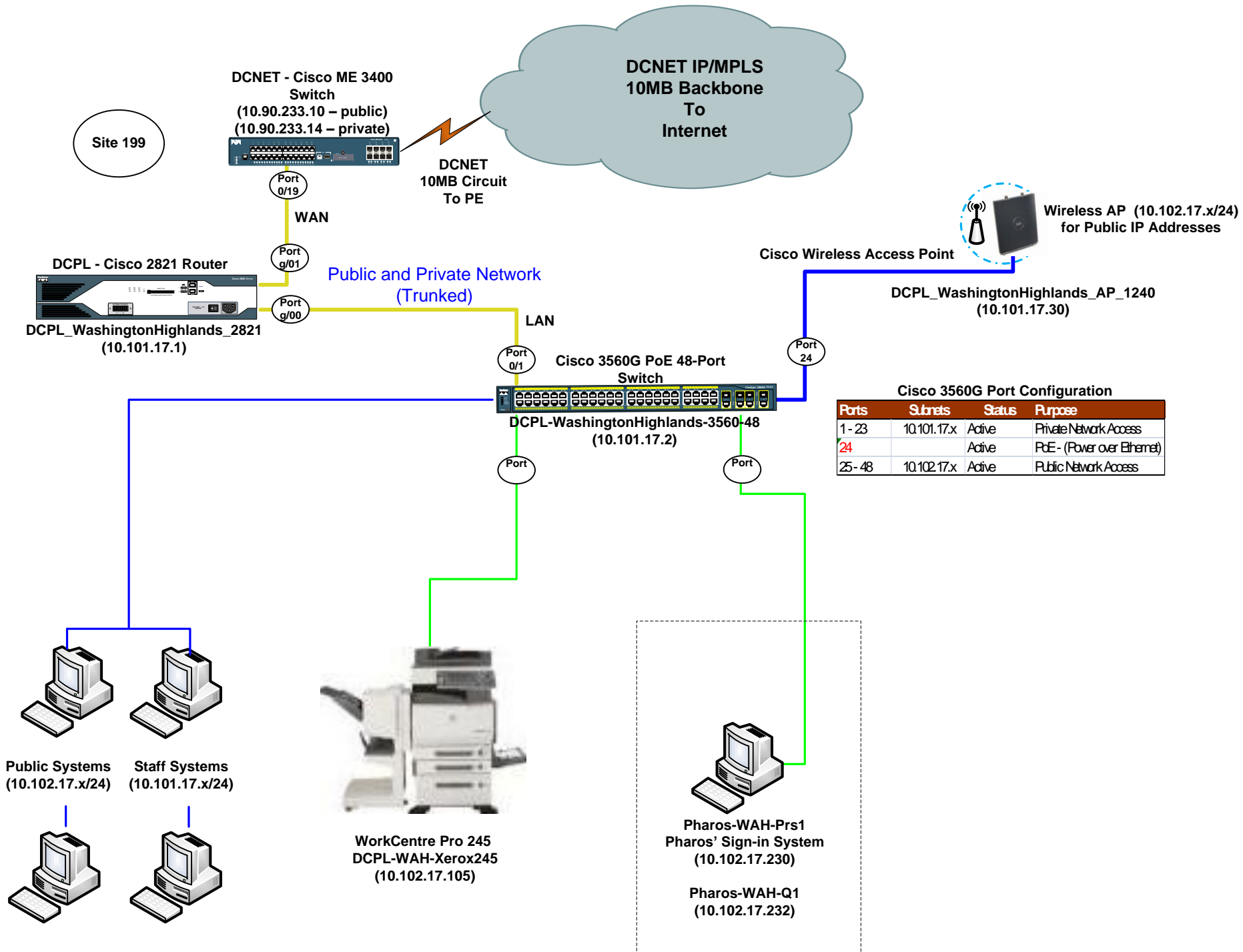
**DCPL – Southwest Network Diagram - Gigabit Upgrade - (as of 04-Mar-2010)**



DCPL – Takoma Park Network Diagram - Gigabit Upgrade - (as of 04-Mar-2010)



**DCPL – Tenley-Friendship Network Diagram - Gigabit Upgrade - (as of 04-Mar-2010)**

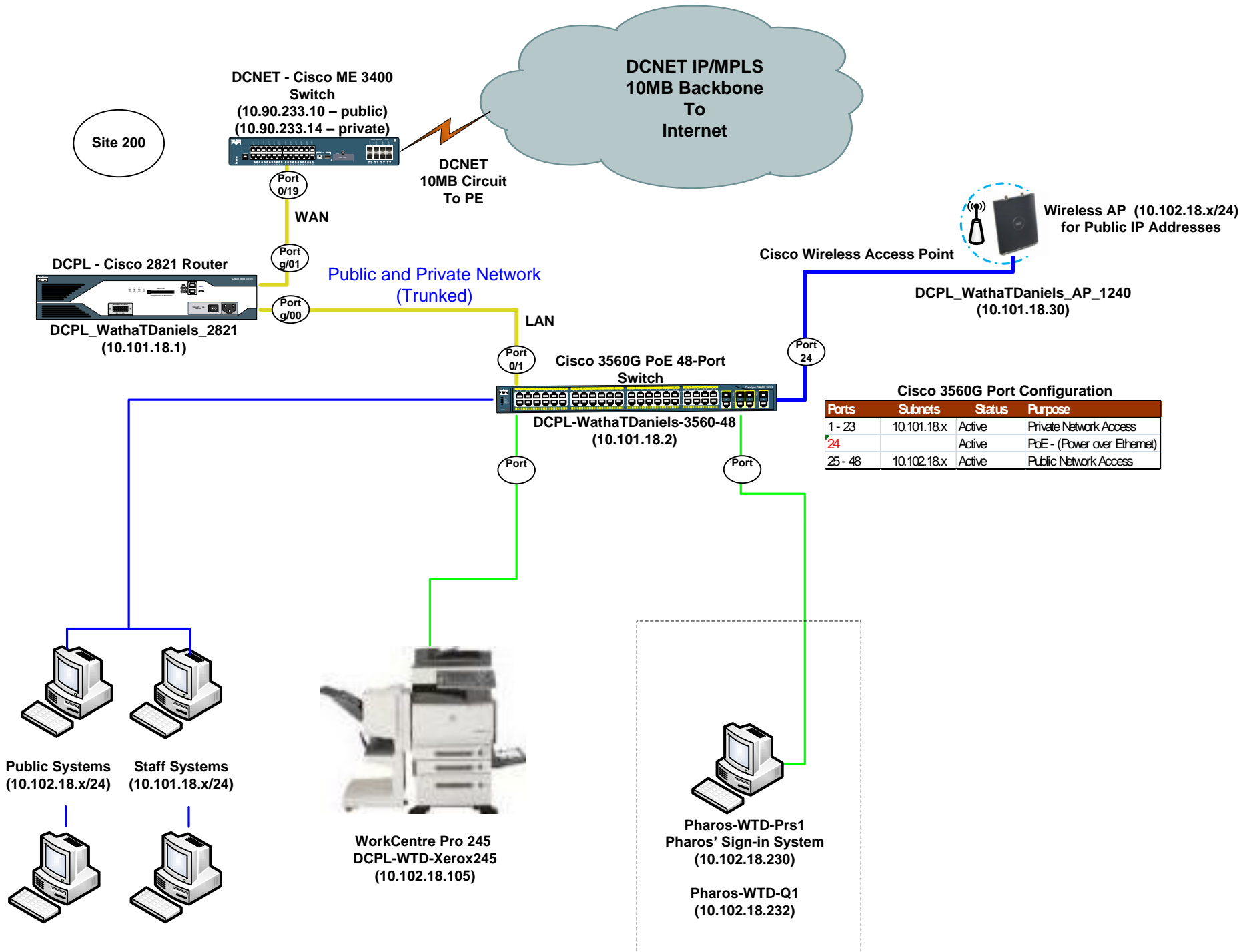


**Cisco 3560G Port Configuration**

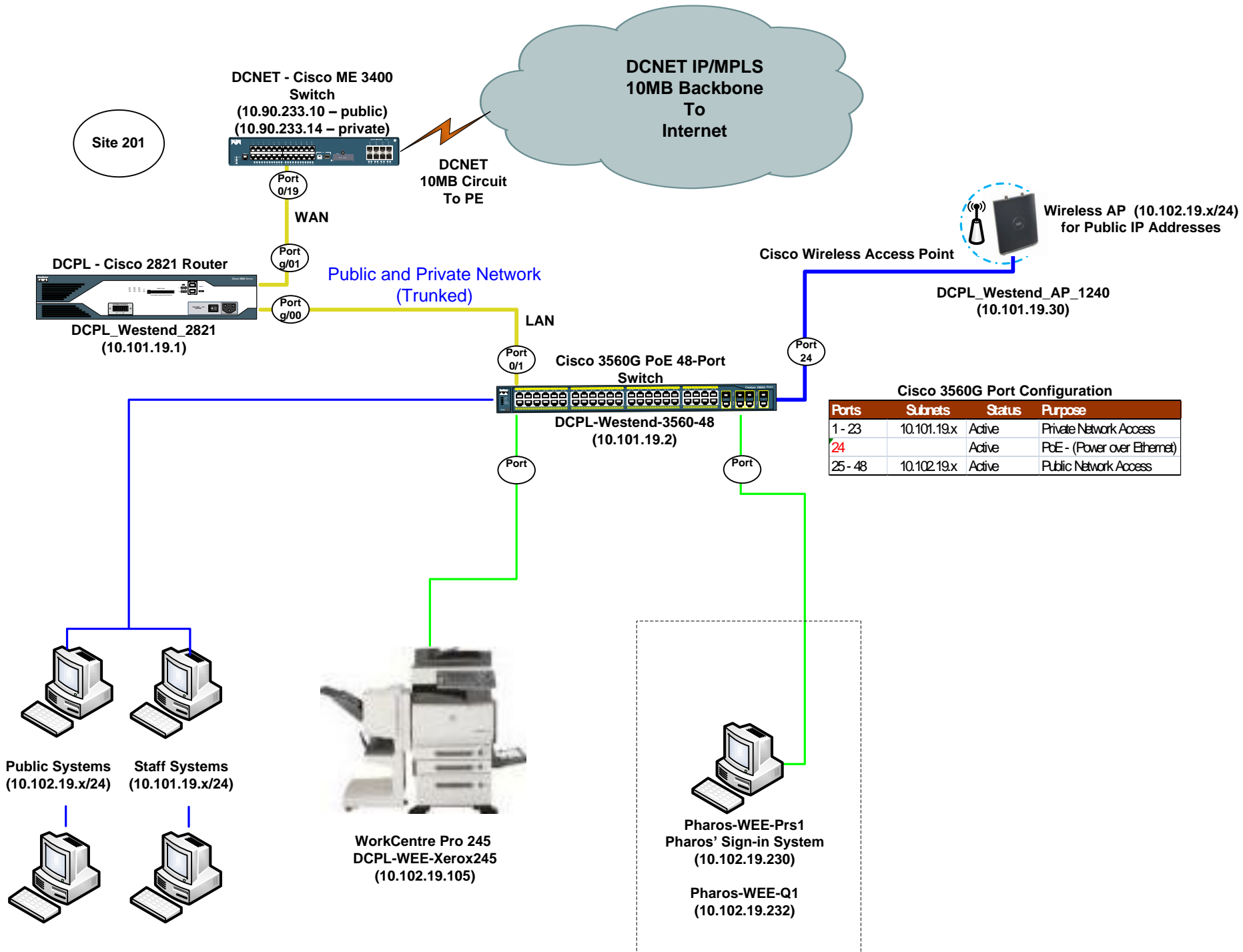
Ports	Subnets	Status	Purpose
1 - 23	10.101.17.x	Active	Private Network Access
24		Active	PoE - (Power over Ethernet)
25 - 48	10.102.17.x	Active	Public Network Access

**DCPL – Washington Highlands Network Diagram - Gigabit Upgrade - (as of 04-Mar-2010)**

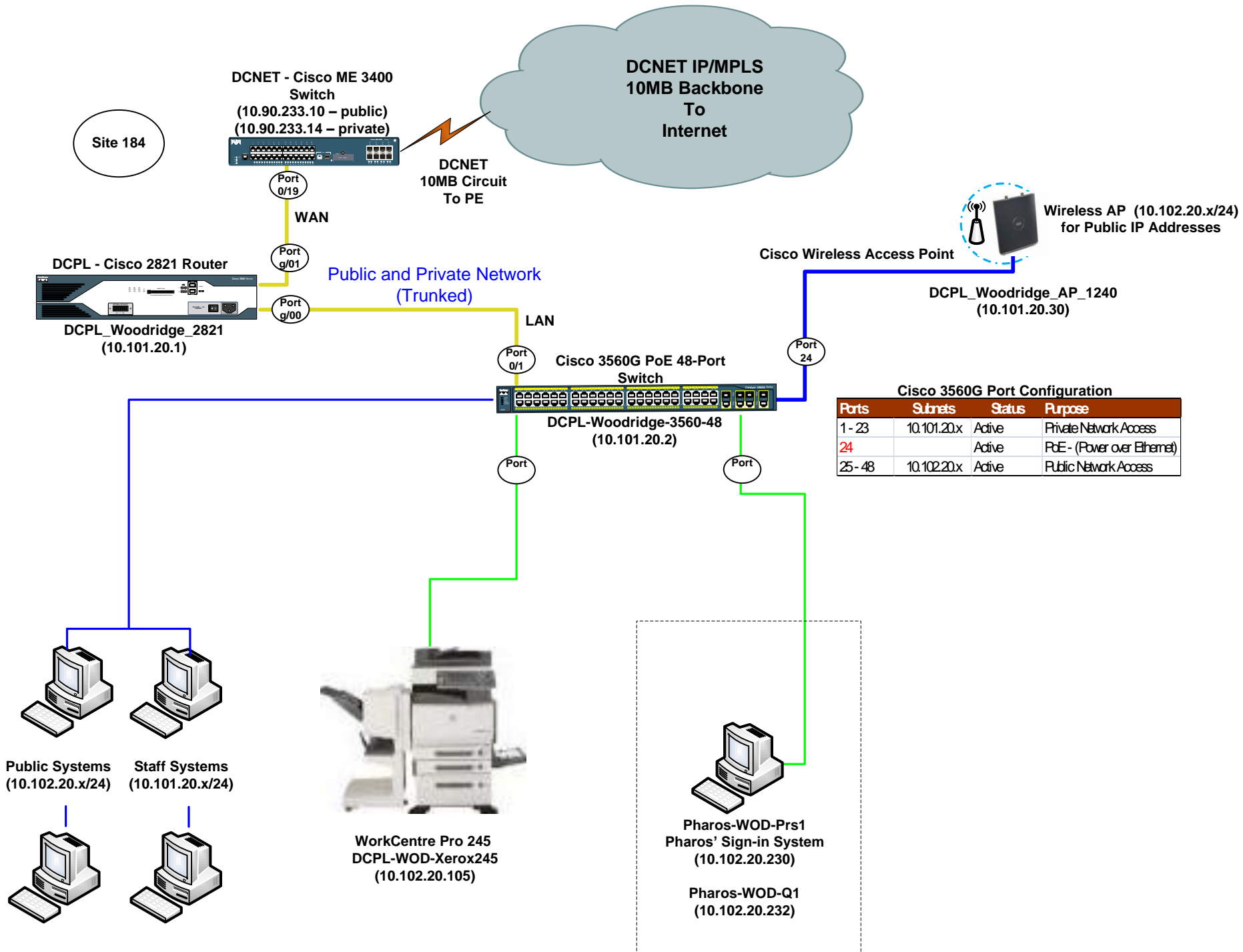




**DCPL – Watha T. Daniels Network Diagram - Gigabit Upgrade - (as of 04-Mar-2010)**



**DCPL – Westend Network Diagram - Gigabit Upgrade - (as of 04-Mar-2010)**



**DCPL – Woodridge Network Diagram - Gigabit Upgrade - (as of 04-Mar-2010)**



DISTRICT OF COLUMBIA  
PUBLIC SCHOOLS

Office of the Chief Academic Officer

March 1, 2010

Mr. Lawrence E. Strickling  
Assistant Secretary  
National Telecommunications and Information Administration  
U.S. Department of Commerce  
1401 Constitution  
Washington, D.C. 20230

Dear Mr. Strickling:

We understand that the Office of the Chief Technology Officer (OCTO) will submit on behalf of the Government of the District of Columbia an application for NTIA grant funds for the Broadband Technology Opportunities Program (BTOP), as authorized by the American Recovery and Reinvestment Act (ARRA).

This project will provide the District with critical broadband infrastructure (public safety agencies, educational institutions, libraries, health care facilities). The expanded broadband, computer access and training programs that comprise the District's BTOP proposal will enable collaboration among District agencies, private businesses and non-profit organizations. Most importantly, the proposal will increase access to economic opportunity for all District of Columbia residents.

Specifically, District of Columbia Public Schools (DCPS) students in Wards 7 and 8, areas of the city most impacted by poverty, will have greater opportunity to use technology as part of their regular classroom instruction. The implementation of this proposal will provide the needed resources and professional development required to engage students and staff in teaching and learning with, for, and about technology. The 21st century classroom is all about connectivity and collaboration to solve real-world problems. Access to technologies and the bandwidth needed to provide seamless technology learning environments only will be possible if this proposal is funded. Research-based instructional best practices and partnerships with digital literacy and public broadcasting organizations will help to ensure compelling instruction that effectively prepares all students for college and careers, regardless of their socio-economic status.

I strongly urge you to fund the OCTO initiative since the project is critical to providing improved services to District citizens, businesses and service providers. Please contact me at (202) 442-5668 if you have any questions.

Respectfully submitted,

Carey M. Wright, Ed.D.  
Deputy Chief, Office of Teaching and Learning



March 10, 2010

Dear BTOP Proposal Reviewer:

Headquartered in Washington, DC, Allied Telecom is a minority owned, LSDBE, providing Broadband and Internet Services to the Washington DC community since 1990. We are enthusiastic supporters of the DC Public Library's (DCPL) proposal to expand public access to computer centers through the BTOP grants of the American Recovery and Reinvestment Act. The funding from the BTOP grant will enable companies like Allied Telecom to provide enhanced security and greater bandwidth to the District libraries. Increased security and bandwidth means additional applications can be safely installed and leveraged by the District residents at these critical public facilities. Enhanced security and bandwidth means that the Library network and public Internet will not be a barrier to the deployment of advanced applications for the District residents.

Allied has been a partner of the DC Public libraries for several years, and is a current provider of Internet services for the library system. As a District based technology firm with deep ties to the city of Washington, Allied has a thorough understanding of how important it is to our residents and business community, that our libraries have public access computers. These computers are used for job searches, career training, education, research, e-mail and social networking. Today, the bandwidth demand greatly outstrips current resource requirements. Allied understands that our libraries, along with some city recreation centers, are often the only place that the public can go to access the Internet and use computers, free of charge. These sites serve people of all ages, ethnicity and socio-economic status within the community. Without access to public computer centers, many in the community would be left behind, without access to important information and the opportunity to develop computer skills.

Allied Telecom firmly believes that the libraries have always served as anchor institutions in our city. With the investment from these BTOP funds, Allied Telecom and the libraries can support the objectives of the Recovery Act via job creation, stimulating long-term economic growth, and providing opportunities for the citizens and businesses of Washington, DC. Allied Telecom appreciates the opportunity to provide enhanced broadband and Internet access to the public computer centers in our community and look forward to being part of this exciting project.

Sincerely;

A handwritten signature in blue ink that reads "Chris Peabody".

Chris Peabody

Chief Operating Officer

Allied Telecom

1120 20<sup>th</sup> St NW

Suite 500s

Washington, DC 20036

202-349-0454

cpeabody@alliedtelecom.net

Dear BTOP Proposal Reviewer:

This is a letter of support for the DC Public Library's proposal to expand public computer centers through the BTOP grant of the American Recovery and Reinvestment Act.

As a certified LSDBE in the District, my company, Custom Integrated Solutions, is happy to commit to being part of this project. We are available and ready to commit to the work necessary to upgrade bandwidth for this project, beginning in fall 2010.

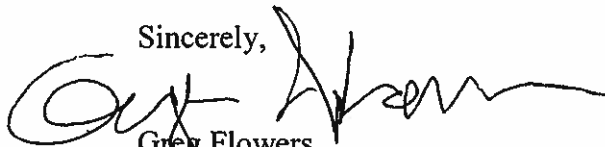
Our libraries have public access computers that are used for job searching, job training, education, researching government information, e-mail and social networking, but the demand greatly outstrips current resources. Our libraries, along with a few city recreation centers, are often the only place that the public can go to access the Internet and use computers, free of charge. The library serves people of all ages, ethnicity and socio-economic status within the community. Without access to public computer centers, many in the community would be left behind, without access to important information and the opportunity to develop computer skills.

The DC Public Library has also invested in a number of e-resources that are delivered via broadband and public access computers to the community, such as Homework Help for teens and children, the Black Studies Virtual Reference Collection, the Testing and Education Reference Center, and the Learning Express Library.

Our libraries have always served as anchor institutions in our city. Access to higher bandwidth, additional computers and e-resources in our public libraries will significantly enhance our mission to serve our community. Public access computers will be used for homework help, job and career related searches, re-careering and small business development, thus supporting the objectives of the Recovery Act: to spur job creation, and stimulate long-term economic growth and opportunity.

We appreciate the opportunity to provide enhanced public computer centers and services to our community and look forward to being part of this exciting project.

Sincerely,

A handwritten signature in black ink, appearing to read "Greg Flowers", written over the printed name.

Greg Flowers

Custom Integrated Solutions





March 11, 2010

Dear BTOP Proposal Reviewer:

I am excited about the possibility of the DC Public Library's receiving funding through the BTOP grant of the American Recovery and Reinvestment Act to expand public computer centers in the library, schools, rec centers and the Community College of DC.

The library is fully committed to this project, and we plan to provide the 30% match for the entire project of \$667,000 from our IT budget. We will provide \$400,000 in FY2011 and \$367,000 in FY2012.


Our libraries have public access computers that are used for job searching, job training, education, researching government information, e-mail and social networking, but the demand greatly outstrips current resources. Our libraries, along with a few city recreation centers, are often the only place that the public can go to access the Internet and use computers, free of charge. The library serves people of all ages, ethnicity and socio-economic status within the community. Without access to public computer centers, many in the community would be left behind, without access to important information and the opportunity to develop computer skills.

The DC Public Library has also invested in a number of e-resources that are delivered via broadband and public access computers to the community, such as Homework Help for teens and children, the Black Studies Virtual Reference Collection, the Testing and Education Reference Center, and the Learning Express Library.

Our libraries have always served as anchor institutions in our city. Access to higher bandwidth, additional computers and e-resources in our public libraries will significantly enhance our mission to serve our community. Public access computers will be used for homework help, job and career related searches, re-careering and small business development, thus supporting the objectives of the Recovery Act: to spur job creation, and stimulate long-term economic growth and opportunity.

We appreciate the opportunity to provide enhanced public computer centers and services to our community and look forward to being part of this exciting project.

Sincerely,

  
Ginnie Cooper  
Chief Librarian/Executive Director



GOVERNMENT OF THE DISTRICT OF COLUMBIA  
Department of Parks and Recreation



Jesús Aguirre  
Interim Director

March 5, 2010

The Honorable Larry Strickling  
Assistant Secretary of Commerce  
National Telecommunications and Information Administration  
U.S. Department of Commerce  
1401 Constitution Ave. NW  
Washington, D.C. 20230

Subject: Support for District of Columbia Broadband Technology Opportunities Program  
Grant Application

Dear Assistant Secretary Strickling:

The District of Columbia Department of Parks and Recreation (DPR) is writing this letter in support of the District of Columbia Government's NTIA Broadband Technology Opportunities Program (BTOP) Grant Application, which is intended to seek, secure and utilize federal grant funding, along with local matching funds, to deploy new and upgraded state of the art computers and equipment for underserved neighborhoods within the District of Columbia.

DPR is a Community Anchor Institution, as the NTIA defines the term. We have participated in defining and developing a much needed plan to build, upgrade, extend, and deliver high-speed broadband Internet connectivity to multiple Community Anchor Institution locations throughout the community, facilitating interconnection for qualified service providers to offer high quality, no cost integrated data services to our constituents.

Here is just a sample of the types of services that may be offered over this network:

- High-definition video/audio distance learning
- Adult education and job training opportunities, including access to knowledge, and online and distance learning
- Health care oriented professional development
- Medical services, such as telemedicine, from urban health care programs
- Broadband services to homes, businesses, and public entities
- Dedicated public safety applications for police, homeland security, and emergency rescue agencies

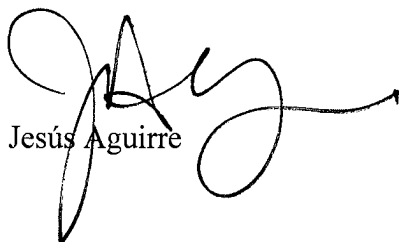


DPR operates 75 public community and recreation centers throughout the city, with one new site opening during the grant period. Equipment enhancements to support the already in-place broadband speeds at our existing locations and offer an end to end solution where low-income residents can go to a DPR site and experience high speed internet on a computer than can support it. Equipment upgrades will also allow us to further expand our low/no-cost computer training and education services, such as “homework help” for youth.

In the event that the District of Columbia Government is provided with BTOP grant funding, we intend to encourage all of our constituents to avail themselves of the many great economic development, personal growth and social interaction opportunities that will be available through these programs.

Finally, we believe that the District government’s plan and grant application has been developed in the true spirit of the requirements for funding under the BTOP Grant program. We respectfully request your favorable consideration of the Grant funding requested to assist in the implementation of its proposed network.

Respectfully submitted,

  
Jesús Aguirre

ID	Task Name	Duration	Start	Finish	Predecessors	Resource Names
1	Grant Award	1 day	Thu 9/30/10	Thu 9/30/10		
2	<b>Procurement</b>	<b>20 days</b>	<b>Fri 10/1/10</b>	<b>Thu 10/28/10</b>	<b>1</b>	
3	Write DNF for sole source procurement	1 day	Fri 10/1/10	Fri 10/1/10		DCPL
4	Procurement for implementation supplier	2 days	Mon 10/4/10	Tue 10/5/10	3	DCPL
5	Award implementation contract	1 day	Wed 10/6/10	Wed 10/6/10	4	DCPL
6	Create RFQ for Dell Desktops	2 days	Fri 10/1/10	Mon 10/4/10		DCPL
7	Create RFQ for Macs	2 days	Tue 10/5/10	Wed 10/6/10	6	DCPL
8	Create RFQ for Laptops	2 days	Thu 10/7/10	Fri 10/8/10	7	DCPL
9	RFQs for peripherals, desks, etc.	1 day	Mon 10/11/10	Mon 10/11/10	8	DCPL
10	Receive all Bids for RFQs	1 day	Tue 10/19/10	Tue 10/19/10	9FS+5 days	
11	Award equipment contracts	1 day	Thu 10/28/10	Thu 10/28/10	10FS+6 days	
12	Transmit image to Dell	2 days	Tue 10/12/10	Wed 10/13/10	9	DCPL
13	Order Broadband Upgrade Supplies	4 days	Fri 10/1/10	Wed 10/6/10	1	DCPL
14	Broadband Upgrade Supplies Arrive	1 day	Thu 11/18/10	Thu 11/18/10	13FS+30 days	DCPL
15	<b>Upgrade MLK Library Bandwidth</b>	<b>33 days</b>	<b>Fri 11/19/10</b>	<b>Tue 1/4/11</b>	<b>14</b>	
16	MLK: Switch out fiber infrastructure	9 days	Fri 11/19/10	Wed 12/1/10		CIS
17	MLK: Switch out supervisor engines	20 days	Thu 12/2/10	Wed 12/29/10	16	CIS
18	MLK: Switch out fiber panels	4 days	Thu 12/30/10	Tue 1/4/11	17	CIS
19	Equipment arrives	1 day	Fri 12/10/10	Fri 12/10/10	11FS+30 days	
20	Asset tag all equipment	5 days	Mon 12/13/10	Fri 12/17/10	19	DCPL
21	<b>Set up PCs at Woodridge Library</b>	<b>6 days</b>	<b>Mon 1/3/11</b>	<b>Mon 1/10/11</b>		
22	Deliver PCs to Woodridge	1 day	Mon 1/3/11	Mon 1/3/11	20FS+10 days	DCPL
23	Install Pharos and Deep Freeze Woodridge	1 day	Tue 1/4/11	Tue 1/4/11	22	DCPL
24	Test printing and registration Woodridge	1 day	Wed 1/5/11	Wed 1/5/11	23	DCPL
25	Register with Nomura Asset Manager Woodridge	1 day	Thu 1/6/11	Thu 1/6/11	24	DCPL
26	Include in Deep Freeze Seed Woodridge	1 day	Fri 1/7/11	Fri 1/7/11	25	DCPL
27	Testing Woodridge	1 day	Mon 1/10/11	Mon 1/10/11	26	DCPL
28	<b>Set up PCs at West End Library</b>	<b>6 days</b>	<b>Tue 1/11/11</b>	<b>Tue 1/18/11</b>		
29	Deliver PCs to West End	1 day	Tue 1/11/11	Tue 1/11/11	27	DCPL
30	Install Pharos and Deep Freeze West End	1 day	Wed 1/12/11	Wed 1/12/11	29	DCPL
31	Test printing and registration West End	1 day	Thu 1/13/11	Thu 1/13/11	30	DCPL
32	Register with Nomura Asset Manager West End	1 day	Fri 1/14/11	Fri 1/14/11	31	DCPL
33	Include in Deep Freeze Seed West End	1 day	Mon 1/17/11	Mon 1/17/11	32	DCPL
34	Testing West End	1 day	Tue 1/18/11	Tue 1/18/11	33	DCPL
35	<b>Upgrade Anacostia Library Bandwidth</b>	<b>67 days</b>	<b>Mon 12/13/10</b>	<b>Tue 3/15/11</b>		
36	ANA Anacostia Cabling	16 days	Wed 1/5/11	Wed 1/26/11	18	DCPL
37	ANA Anacostia Run multimedia fiber cable	7 days	Mon 12/13/10	Tue 12/21/10	19	DC NET
38	ANA Anacostia Cross connect cable	7 days	Mon 12/20/10	Tue 12/28/10	20	DC NET
39	ANA Anacostia Install copper cable	1 mon	Thu 1/27/11	Wed 2/23/11	36	Verizon
40	ANA Anacostia Cross connect	7 days	Wed 12/22/10	Thu 12/30/10	37	Verizon
41	ANA Anacostia Terminate LAN	2 days	Mon 3/14/11	Tue 3/15/11	38,57	CIS
42	<b>Set up PCs at Watha T. Daniel Library</b>	<b>6 days</b>	<b>Wed 1/19/11</b>	<b>Wed 1/26/11</b>		

ID	Task Name	Duration	Start	Finish	Predecessors	Resource Names
43	Deliver PCs to Watha T.	1 day	Wed 1/19/11	Wed 1/19/11	34	DCPL
44	Install Pharos and Deep Freeze Watha T.	1 day	Thu 1/20/11	Thu 1/20/11	43	DCPL
45	Test printing and registration Watha T.	1 day	Fri 1/21/11	Fri 1/21/11	44	DCPL
46	Register with Nomura Asset Manager Watha T.	1 day	Mon 1/24/11	Mon 1/24/11	45	DCPL
47	Include in Deep Freeze Seed Watha T.	1 day	Tue 1/25/11	Tue 1/25/11	46	DCPL
48	Testing Watha T.	1 day	Wed 1/26/11	Wed 1/26/11	47	DCPL
49	<b>Upgrade Benning Library Bandwidth</b>	<b>66 days</b>	<b>Thu 1/27/11</b>	<b>Thu 4/28/11</b>		
50	BEN Benning Cabling	16 days	Thu 1/27/11	Thu 2/17/11	36	CIS
51	BEN Benning Run multimedia fiber cable	7 days	Fri 2/18/11	Mon 2/28/11	50	DC NET
52	BEN Benning Cross connect cable	7 days	Tue 3/1/11	Wed 3/9/11	51	DC NET
53	BEN Benning Install copper cable	1 mon	Thu 3/10/11	Wed 4/6/11	52	Verizon
54	BEN Benning Cross connect	7 days	Thu 4/7/11	Fri 4/15/11	53	Verizon
55	BEN Benning Terminate LAN	2 days	Wed 4/27/11	Thu 4/28/11	54,91	CIS
56	<b>Upgrade Bandwidth at Capitol View Library</b>	<b>68 days</b>	<b>Fri 2/18/11</b>	<b>Tue 5/24/11</b>		
57	CAV Capitol View Cabling	16 days	Fri 2/18/11	Fri 3/11/11	50	CIS
58	CAV Capitol View Run multimedia fiber cable	7 days	Mon 3/14/11	Tue 3/22/11	57	DC NET
59	CAV Capitol View Cross connect cable	7 days	Wed 3/23/11	Thu 3/31/11	58	DC NET
60	CAV Capitol View Install copper cable	1 mon	Fri 4/1/11	Thu 4/28/11	59	Verizon
61	CAV Capitol View Cross connect	7 days	Fri 4/29/11	Mon 5/9/11	60	Verizon
62	CAV Capitol View Terminate LAN	2 days	Mon 5/23/11	Tue 5/24/11	61,105	CIS
63	<b>Set up PCs at Washington Highlands Library</b>	<b>48 days</b>	<b>Thu 1/27/11</b>	<b>Mon 4/4/11</b>		
64	Deliver PCs to Washington Highlands	1 day	Thu 1/27/11	Thu 1/27/11	48	DCPL
65	Install Pharos and Deep Freeze Washington Highlands	1 day	Fri 1/28/11	Fri 1/28/11	64	DCPL
66	Test printing and registration Washington Highlands	1 day	Mon 1/31/11	Mon 1/31/11	65	DCPL
67	Register with Nomura Asset Manager Washington Highla	1 day	Tue 2/1/11	Tue 2/1/11	66	DCPL
68	Include in Deep Freeze Seed Washington Highlands	1 day	Wed 2/2/11	Wed 2/2/11	67	DCPL
69	Testing Washington Highlands	16 days	Mon 3/14/11	Mon 4/4/11	57	DCPL
70	<b>Upgrade Bandwidth at Chevy Chase Library</b>	<b>54 days</b>	<b>Tue 4/5/11</b>	<b>Fri 6/17/11</b>		
71	CCH Chevy Chase Run multimedia fiber cable	7 days	Tue 4/5/11	Wed 4/13/11	69	DC NET
72	CCH Chevy Chase Cross connect cable	7 days	Thu 4/14/11	Fri 4/22/11	71	DC NET
73	CCH Chevy Chase Install copper cable	1 mon	Mon 4/25/11	Fri 5/20/11	72	Verizon
74	CCH Chevy Chase Cross connect	7 days	Mon 5/23/11	Tue 5/31/11	73	Verizon
75	CCH Chevy Chase Terminate LAN	2 days	Thu 6/16/11	Fri 6/17/11	74,126	CIS
76	<b>Set up PCs at Tenley-Friendship Library</b>	<b>6 days</b>	<b>Tue 4/5/11</b>	<b>Tue 4/12/11</b>		
77	Deliver PCs to Tenley	1 day	Tue 4/5/11	Tue 4/5/11	69	DCPL
78	Install Pharos and Deep Freeze Tenley	1 day	Wed 4/6/11	Wed 4/6/11	77	DCPL
79	Test printing and registration Tenley	1 day	Thu 4/7/11	Thu 4/7/11	78	DCPL
80	Register with Nomura Asset Manager Tenley	1 day	Fri 4/8/11	Fri 4/8/11	79	DCPL
81	Include in Deep Freeze Seed Tenley	1 day	Mon 4/11/11	Mon 4/11/11	80	DCPL
82	Testing Tenley	1 day	Tue 4/12/11	Tue 4/12/11	81	DCPL
83	<b>Set up PCs at Takoma Park Library</b>	<b>6 days</b>	<b>Wed 4/13/11</b>	<b>Wed 4/20/11</b>		
84	Deliver PCs to Takoma	1 day	Wed 4/13/11	Wed 4/13/11	82	DCPL

ID	Task Name	Duration	Start	Finish	Predecessors	Resource Names
85	Install Pharos and Deep Freeze Takoma	1 day	Thu 4/14/11	Thu 4/14/11	84	DCPL
86	Test printing and registration Takoma	1 day	Fri 4/15/11	Fri 4/15/11	85	DCPL
87	Register with Nomura Asset Manager Takoma	1 day	Mon 4/18/11	Mon 4/18/11	86	DCPL
88	Include in Deep Freeze Seed Takoma	1 day	Tue 4/19/11	Tue 4/19/11	87	DCPL
89	Testing Takoma	1 day	Wed 4/20/11	Wed 4/20/11	88	DCPL
90	<b>Upgrade Bandwidth at Cleveland Park Library</b>	<b>70 days</b>	<b>Tue 4/5/11</b>	<b>Mon 7/11/11</b>		
91	CPK Cleveland Park Cabling	16 days	Tue 4/5/11	Tue 4/26/11	69	CIS
92	CPK Cleveland Park Run multimedia fiber cable	7 days	Wed 4/27/11	Thu 5/5/11	91	DC NET
93	CPK Cleveland Park Cross connect cable	7 days	Fri 5/6/11	Mon 5/16/11	92	DC NET
94	CPK Cleveland Park Install copper cable	1 mon	Tue 5/17/11	Mon 6/13/11	93	Verizon
95	CPK Cleveland Park Cross connect	7 days	Tue 6/14/11	Wed 6/22/11	94	Verizon
96	CPK Cleveland Park Terminate LAN	2 days	Fri 7/8/11	Mon 7/11/11	95,161	CIS
97	<b>Set up PCs at Southwest Library</b>	<b>6 days</b>	<b>Thu 4/21/11</b>	<b>Thu 4/28/11</b>		
98	Deliver PCs to Southwest	1 day	Thu 4/21/11	Thu 4/21/11	89	DCPL
99	Install Pharos and Deep Freeze Southwest	1 day	Fri 4/22/11	Fri 4/22/11	98	DCPL
100	Test printing and registration Southwest	1 day	Mon 4/25/11	Mon 4/25/11	99	DCPL
101	Register with Nomura Asset Manager Southwest	1 day	Tue 4/26/11	Tue 4/26/11	100	DCPL
102	Include in Deep Freeze Seed Southwest	1 day	Wed 4/27/11	Wed 4/27/11	101	DCPL
103	Testing Southwest	1 day	Thu 4/28/11	Thu 4/28/11	102	DCPL
104	<b>Upgrade Bandwidth at Francis A. Gregory Library</b>	<b>70 days</b>	<b>Fri 4/29/11</b>	<b>Thu 8/4/11</b>		
105	FGR Francis A. Gregory Cabling	16 days	Fri 4/29/11	Fri 5/20/11	91,55	CIS
106	FGR Francis A. Gregory Run multimedia fiber cable	7 days	Mon 5/23/11	Tue 5/31/11	105	DC NET
107	FGR Francis A. Gregory Cross connect cable	7 days	Wed 6/1/11	Thu 6/9/11	106	DC NET
108	FGR Francis A. Gregory Install copper cable	1 mon	Fri 6/10/11	Thu 7/7/11	107	Verizon
109	FGR Francis A. Gregory Cross connect	7 days	Fri 7/8/11	Mon 7/18/11	108	Verizon
110	FGR Francis A. Gregory Terminate LAN	2 days	Wed 8/3/11	Thu 8/4/11	109,182	CIS
111	<b>Set up PCs at Southeast Library</b>	<b>6 days</b>	<b>Fri 4/29/11</b>	<b>Fri 5/6/11</b>		
112	Deliver PCs to Southeast	1 day	Fri 4/29/11	Fri 4/29/11	103	DCPL
113	Install Pharos and Deep Freeze Southeast	1 day	Mon 5/2/11	Mon 5/2/11	112	DCPL
114	Test printing and registration Southeast	1 day	Tue 5/3/11	Tue 5/3/11	113	DCPL
115	Register with Nomura Asset Manager Southeast	1 day	Wed 5/4/11	Wed 5/4/11	114	DCPL
116	Include in Deep Freeze Seed Southeast	1 day	Thu 5/5/11	Thu 5/5/11	115	DCPL
117	Testing Southeast	1 day	Fri 5/6/11	Fri 5/6/11	116	DCPL
118	<b>Set up PCs at Shepherd Park Library</b>	<b>6 days</b>	<b>Mon 5/9/11</b>	<b>Mon 5/16/11</b>		
119	Deliver PCs to Shepherd Park	1 day	Mon 5/9/11	Mon 5/9/11	117	DCPL
120	Install Pharos and Deep Freeze Shepherd Park	1 day	Tue 5/10/11	Tue 5/10/11	119	DCPL
121	Test printing and registration Shepherd Park	1 day	Wed 5/11/11	Wed 5/11/11	120	DCPL
122	Register with Nomura Asset Manager Shepherd Park	1 day	Thu 5/12/11	Thu 5/12/11	121	DCPL
123	Include in Deep Freeze Seed Shepherd Park	1 day	Fri 5/13/11	Fri 5/13/11	122	DCPL
124	Testing Shepherd Park	1 day	Mon 5/16/11	Mon 5/16/11	123	DCPL
125	<b>Upgrade Bandwidth at Georgetown Library</b>	<b>70 days</b>	<b>Wed 5/25/11</b>	<b>Tue 8/30/11</b>		
126	GEO Georgetown Cabling	16 days	Wed 5/25/11	Wed 6/15/11	105,62	CIS

ID	Task Name	Duration	Start	Finish	Predecessors	Resource Names
127	GEO Georgetown Run multimedia fiber cable	7 days	Thu 6/16/11	Fri 6/24/11	126	DC NET
128	GEO Georgetown Cross connect cable	7 days	Mon 6/27/11	Tue 7/5/11	127	DC NET
129	GEO Georgetown Install copper cable	1 mon	Wed 7/6/11	Tue 8/2/11	128	Verizon
130	GEO Georgetown Cross connect	7 days	Wed 8/3/11	Thu 8/11/11	129	Verizon
131	GEO Georgetown Terminate LAN	2 days	Mon 8/29/11	Tue 8/30/11	130,75,216	CIS
132	<b>Set up PCs at Petworth Library</b>	<b>6 days</b>	<b>Tue 5/17/11</b>	<b>Tue 5/24/11</b>		
133	Deliver PCs to Petworth	1 day	Tue 5/17/11	Tue 5/17/11	124	DCPL
134	Install Pharos and Deep Freeze Petworth	1 day	Wed 5/18/11	Wed 5/18/11	133	DCPL
135	Test printing and registration Petworth	1 day	Thu 5/19/11	Thu 5/19/11	134	DCPL
136	Register with Nomura Asset Manager Petworth	1 day	Fri 5/20/11	Fri 5/20/11	135	DCPL
137	Include in Deep Freeze Seed Petworth	1 day	Mon 5/23/11	Mon 5/23/11	136	DCPL
138	Testing Petworth	1 day	Tue 5/24/11	Tue 5/24/11	137	DCPL
139	<b>Set up PCs at Parklands-Turner Library</b>	<b>6 days</b>	<b>Wed 5/25/11</b>	<b>Wed 6/1/11</b>		
140	Deliver PCs to Parklands	1 day	Wed 5/25/11	Wed 5/25/11	138	DCPL
141	Install Pharos and Deep Freeze Parklands	1 day	Thu 5/26/11	Thu 5/26/11	140	DCPL
142	Test printing and registration Parklands	1 day	Fri 5/27/11	Fri 5/27/11	141	DCPL
143	Register with Nomura Asset Manager Parklands	1 day	Mon 5/30/11	Mon 5/30/11	142	DCPL
144	Include in Deep Freeze Seed Parklands	1 day	Tue 5/31/11	Tue 5/31/11	143	DCPL
145	Testing Parklands	1 day	Wed 6/1/11	Wed 6/1/11	144	DCPL
146	<b>Set up PCs at Palisades Library</b>	<b>6 days</b>	<b>Thu 6/2/11</b>	<b>Thu 6/9/11</b>		
147	Deliver PCs to Palisades	1 day	Thu 6/2/11	Thu 6/2/11	145	DCPL
148	Install Pharos and Deep Freeze Palisades	1 day	Fri 6/3/11	Fri 6/3/11	147	DCPL
149	Test printing and registration Palisades	1 day	Mon 6/6/11	Mon 6/6/11	148	DCPL
150	Register with Nomura Asset Manager Palisades	1 day	Tue 6/7/11	Tue 6/7/11	149	DCPL
151	Include in Deep Freeze Seed Palisades	1 day	Wed 6/8/11	Wed 6/8/11	150	DCPL
152	Testing Palisades	1 day	Thu 6/9/11	Thu 6/9/11	151	DCPL
153	<b>Set up PCs at Northwest One Library</b>	<b>6 days</b>	<b>Fri 6/10/11</b>	<b>Fri 6/17/11</b>		
154	Deliver PCs to Northwest One	1 day	Fri 6/10/11	Fri 6/10/11	152	DCPL
155	Install Pharos and Deep Freeze Northwest One	1 day	Mon 6/13/11	Mon 6/13/11	154	DCPL
156	Test printing and registration Northwest One	1 day	Tue 6/14/11	Tue 6/14/11	155	DCPL
157	Register with Nomura Asset Manager Northwest One	1 day	Wed 6/15/11	Wed 6/15/11	156	DCPL
158	Include in Deep Freeze Seed Northwest One	1 day	Thu 6/16/11	Thu 6/16/11	157	DCPL
159	Testing Northwest One	1 day	Fri 6/17/11	Fri 6/17/11	158	DCPL
160	<b>Upgrade Bandwidth at Shepherd Park Library</b>	<b>72 days</b>	<b>Thu 6/16/11</b>	<b>Fri 9/23/11</b>		
161	SPK Shepherd Park Cabling	16 days	Thu 6/16/11	Thu 7/7/11	126	CIS
162	SPK Shepherd Park Run multimedia fiber cable	7 days	Fri 7/8/11	Mon 7/18/11	161	DC NET
163	SPK Shepherd Park Cross connect cable	7 days	Tue 7/19/11	Wed 7/27/11	162	DC NET
164	SPK Shepherd Park Install copper cable	1 mon	Thu 7/28/11	Wed 8/24/11	163	Verizon
165	SPK Shepherd Park Cross connect	7 days	Thu 8/25/11	Fri 9/2/11	164	Verizon
166	SPK Shepherd Park Terminate LAN	2 days	Thu 9/22/11	Fri 9/23/11	165,244	CIS
167	<b>Set up PCs at Northeast Library</b>	<b>6 days</b>	<b>Mon 6/20/11</b>	<b>Mon 6/27/11</b>		
168	Deliver PCs to Northeast	1 day	Mon 6/20/11	Mon 6/20/11	159	DCPL

ID	Task Name	Duration	Start	Finish	Predecessors	Resource Names
169	Install Pharos and Deep Freeze Northeast	1 day	Tue 6/21/11	Tue 6/21/11	168	DCPL
170	Test printing and registration Northeast	1 day	Wed 6/22/11	Wed 6/22/11	169	DCPL
171	Register with Nomura Asset Manager Northeast	1 day	Thu 6/23/11	Thu 6/23/11	170	DCPL
172	Include in Deep Freeze Seed Northeast	1 day	Fri 6/24/11	Fri 6/24/11	171	DCPL
173	Testing Northeast	1 day	Mon 6/27/11	Mon 6/27/11	172	DCPL
174	<b>Set up PCs at Mount Pleasant Library</b>	<b>6 days</b>	<b>Tue 6/28/11</b>	<b>Tue 7/5/11</b>		
175	Deliver PCs to Mount Pleasant	1 day	Tue 6/28/11	Tue 6/28/11	173	DCPL
176	Install Pharos and Deep Freeze Mount Pleasant	1 day	Wed 6/29/11	Wed 6/29/11	175	DCPL
177	Test printing and registration Mount Pleasant	1 day	Thu 6/30/11	Thu 6/30/11	176	DCPL
178	Register with Nomura Asset Manager Mount Pleasant	1 day	Fri 7/1/11	Fri 7/1/11	177	DCPL
179	Include in Deep Freeze Seed Mount Pleasant	1 day	Mon 7/4/11	Mon 7/4/11	178	DCPL
180	Testing Mount Pleasant	1 day	Tue 7/5/11	Tue 7/5/11	179	DCPL
181	<b>Upgrade Bandwidth at Lamond-Riggs Library</b>	<b>72 days</b>	<b>Tue 7/12/11</b>	<b>Wed 10/19/11</b>		
182	LAR Lamond-Riggs Cabling	16 days	Tue 7/12/11	Tue 8/2/11	161,96	CIS
183	LAR Lamond-Riggs Run multimedia fiber cable	7 days	Wed 8/3/11	Thu 8/11/11	182	DC NET
184	LAR Lamond-Riggs Cross connect cable	7 days	Fri 8/12/11	Mon 8/22/11	183	DC NET
185	LAR Lamond-Riggs Install copper cable	1 mon	Tue 8/23/11	Mon 9/19/11	184	Verizon
186	LAR Lamond-Riggs Cross connect	7 days	Tue 9/20/11	Wed 9/28/11	185	Verizon
187	LAR Lamond-Riggs Terminate LAN	2 days	Tue 10/18/11	Wed 10/19/11	186,274	CIS
188	<b>Set up PCs at MLK Library</b>	<b>5 days</b>	<b>Wed 7/6/11</b>	<b>Tue 7/12/11</b>		
189	Install Pharos and Deep Freeze MLK	1 day	Wed 7/6/11	Wed 7/6/11	180	DCPL
190	Test printing and registration MLK	1 day	Thu 7/7/11	Thu 7/7/11	189	DCPL
191	Register with Nomura Asset Manager MLK	1 day	Fri 7/8/11	Fri 7/8/11	190	DCPL
192	Include in Deep Freeze Seed MLK	1 day	Mon 7/11/11	Mon 7/11/11	191	DCPL
193	Testing MLK	1 day	Tue 7/12/11	Tue 7/12/11	192	DCPL
194	<b>Set up PCs at Lamond-Riggs Library</b>	<b>6 days</b>	<b>Wed 7/13/11</b>	<b>Wed 7/20/11</b>		
195	Deliver PCs to Lamond-Riggs	1 day	Wed 7/13/11	Wed 7/13/11	193	DCPL
196	Install Pharos and Deep Freeze Lamond-Riggs	1 day	Thu 7/14/11	Thu 7/14/11	195	DCPL
197	Test printing and registration Lamond-Riggs	1 day	Fri 7/15/11	Fri 7/15/11	196	DCPL
198	Register with Nomura Asset Manager Lamond-Riggs	1 day	Mon 7/18/11	Mon 7/18/11	197	DCPL
199	Include in Deep Freeze Seed Lamond-Riggs	1 day	Tue 7/19/11	Tue 7/19/11	198	DCPL
200	Testing Lamond-Riggs	1 day	Wed 7/20/11	Wed 7/20/11	199	DCPL
201	<b>Set up PCs at Georgetown Library</b>	<b>6 days</b>	<b>Thu 7/21/11</b>	<b>Thu 7/28/11</b>		
202	Deliver PCs to Georgetown	1 day	Thu 7/21/11	Thu 7/21/11	200	DCPL
203	Install Pharos and Deep Freeze Georgetown	1 day	Fri 7/22/11	Fri 7/22/11	202	DCPL
204	Test printing and registration Georgetown	1 day	Mon 7/25/11	Mon 7/25/11	203	DCPL
205	Register with Nomura Asset Manager Georgetown	1 day	Tue 7/26/11	Tue 7/26/11	204	DCPL
206	Include in Deep Freeze Seed Georgetown	1 day	Wed 7/27/11	Wed 7/27/11	205	DCPL
207	Testing Georgetown	1 day	Thu 7/28/11	Thu 7/28/11	206	DCPL
208	<b>Set up PCs at Francis Gregory Library</b>	<b>6 days</b>	<b>Fri 7/29/11</b>	<b>Fri 8/5/11</b>		
209	Deliver PCs to Francis Gregory	1 day	Fri 7/29/11	Fri 7/29/11	207	DCPL
210	Install Pharos and Deep Freeze Francis Gregory	1 day	Mon 8/1/11	Mon 8/1/11	209	DCPL

ID	Task Name	Duration	Start	Finish	Predecessors	Resource Names
211	Test printing and registration Francis Gregory	1 day	Tue 8/2/11	Tue 8/2/11	210	DCPL
212	Register with Nomura Asset Manager Francis Gregory	1 day	Wed 8/3/11	Wed 8/3/11	211	DCPL
213	Include in Deep Freeze Seed Francis Gregory	1 day	Thu 8/4/11	Thu 8/4/11	212	DCPL
214	Testing Francis Gregory	1 day	Fri 8/5/11	Fri 8/5/11	213	DCPL
215	<b>Upgrade Bandwidth at Mount Pleasant Library</b>	<b>72 days</b>	<b>Fri 8/5/11</b>	<b>Mon 11/14/11</b>		
216	MTP Mount Pleasant Cabling	16 days	Fri 8/5/11	Fri 8/26/11	182,110	CIS
217	MTP Mount Pleasant Run multimedia fiber cable	7 days	Mon 8/29/11	Tue 9/6/11	216	DC NET
218	MTP Mount Pleasant Cross connect cable	7 days	Wed 9/7/11	Thu 9/15/11	217	DC NET
219	MTP Mount Pleasant Install copper cable	1 mon	Fri 9/16/11	Thu 10/13/11	218	Verizon
220	MTP Mount Pleasant Cross connect	7 days	Fri 10/14/11	Mon 10/24/11	219	Verizon
221	MTP Mount Pleasant Terminate LAN	2 days	Fri 11/11/11	Mon 11/14/11	220,290	CIS
222	<b>Set up PCs at Cleveland Park Library</b>	<b>6 days</b>	<b>Mon 8/8/11</b>	<b>Mon 8/15/11</b>		
223	Deliver PCs to Cleveland Park	1 day	Mon 8/8/11	Mon 8/8/11	214	DCPL
224	Install Pharos and Deep Freeze Cleveland Park	1 day	Tue 8/9/11	Tue 8/9/11	223	DCPL
225	Test printing and registration Cleveland Park	1 day	Wed 8/10/11	Wed 8/10/11	224	DCPL
226	Register with Nomura Asset Manager Cleveland Park	1 day	Thu 8/11/11	Thu 8/11/11	225	DCPL
227	Include in Deep Freeze Seed Cleveland Park	1 day	Fri 8/12/11	Fri 8/12/11	226	DCPL
228	Testing Cleveland Park	1 day	Mon 8/15/11	Mon 8/15/11	227	DCPL
229	<b>Set up PCs at Chevy Chase Library</b>	<b>6 days</b>	<b>Tue 8/16/11</b>	<b>Tue 8/23/11</b>		
230	Deliver PCs to Chevy Chase	1 day	Tue 8/16/11	Tue 8/16/11	228	DCPL
231	Install Pharos and Deep Freeze Chevy Chase	1 day	Wed 8/17/11	Wed 8/17/11	230	DCPL
232	Test printing and registration Chevy Chase	1 day	Thu 8/18/11	Thu 8/18/11	231	DCPL
233	Register with Nomura Asset Manager Chevy Chase	1 day	Fri 8/19/11	Fri 8/19/11	232	DCPL
234	Include in Deep Freeze Seed Chevy Chase	1 day	Mon 8/22/11	Mon 8/22/11	233	DCPL
235	Testing Chevy Chase	1 day	Tue 8/23/11	Tue 8/23/11	234	DCPL
236	<b>Set up PCs at Capitol View Library</b>	<b>6 days</b>	<b>Wed 8/24/11</b>	<b>Wed 8/31/11</b>		
237	Deliver PCs to Capitol View	1 day	Wed 8/24/11	Wed 8/24/11	235	DCPL
238	Install Pharos and Deep Freeze Capitol View	1 day	Thu 8/25/11	Thu 8/25/11	237	DCPL
239	Test printing and registration Capitol View	1 day	Fri 8/26/11	Fri 8/26/11	238	DCPL
240	Register with Nomura Asset Manager Capitol View	1 day	Mon 8/29/11	Mon 8/29/11	239	DCPL
241	Include in Deep Freeze Seed Capitol View	1 day	Tue 8/30/11	Tue 8/30/11	240	DCPL
242	Testing Capitol View	1 day	Wed 8/31/11	Wed 8/31/11	241	DCPL
243	<b>Upgrade Bandwidth at Northeast Library</b>	<b>84 days</b>	<b>Wed 8/31/11</b>	<b>Mon 12/26/11</b>		
244	NOE Northeast Cabling	16 days	Wed 8/31/11	Wed 9/21/11	216,131	CIS
245	NOE Northeast Run multimedia fiber cable	7 days	Thu 9/22/11	Fri 9/30/11	244	DC NET
246	NOE Northeast Cross connect cable	7 days	Mon 10/3/11	Tue 10/11/11	245	DC NET
247	NOE Northeast Install copper cable	1 mon	Wed 10/12/11	Tue 11/8/11	246	Verizon
248	NOE Northeast Cross connect	7 days	Wed 11/9/11	Thu 11/17/11	247	Verizon
249	NOE Northeast Terminate LAN	2 days	Fri 12/23/11	Mon 12/26/11	248,297	CIS
250	<b>Set up PCs at Benning Library</b>	<b>6 days</b>	<b>Thu 9/1/11</b>	<b>Thu 9/8/11</b>		
251	Deliver PCs to Benning	1 day	Thu 9/1/11	Thu 9/1/11	242	DCPL
252	Install Pharos and Deep Freeze Benning	1 day	Fri 9/2/11	Fri 9/2/11	251	DCPL



ID	Task Name	Duration	Start	Finish	Predecessors	Resource Names
253	Test printing and registration Benning	1 day	Mon 9/5/11	Mon 9/5/11	252	DCPL
254	Register with Nomura Asset Manager Benning	1 day	Tue 9/6/11	Tue 9/6/11	253	DCPL
255	Include in Deep Freeze Seed Benning	1 day	Wed 9/7/11	Wed 9/7/11	254	DCPL
256	Testing Benning	1 day	Thu 9/8/11	Thu 9/8/11	255	DCPL
257	<b>Set up PCs at Anacostia Library</b>	<b>6 days</b>	<b>Fri 9/9/11</b>	<b>Fri 9/16/11</b>		
258	Deliver PCs to Anacostia	1 day	Fri 9/9/11	Fri 9/9/11	256	DCPL
259	Install Pharos and Deep Freeze Anacostia	1 day	Mon 9/12/11	Mon 9/12/11	258	DCPL
260	Test printing and registration Anacostia	1 day	Tue 9/13/11	Tue 9/13/11	259	DCPL
261	Register with Nomura Asset Manager Anacostia	1 day	Wed 9/14/11	Wed 9/14/11	260	DCPL
262	Include in Deep Freeze Seed Anacostia	1 day	Thu 9/15/11	Thu 9/15/11	261	DCPL
263	Testing Anacostia	1 day	Fri 9/16/11	Fri 9/16/11	262	DCPL
264	<b>Set up PCs at Southeast Tennis &amp; Learning Center</b>	<b>2 days</b>	<b>Mon 9/19/11</b>	<b>Tue 9/20/11</b>		
265	Deliver PCs to Southeast Tennis & Learning Center	1 day	Mon 9/19/11	Mon 9/19/11	263	DCPL
266	Set up PCs at Southeast Tennis & Learning Center	1 day	Tue 9/20/11	Tue 9/20/11	265	DCPL
267	<b>Set up PCs at King Greenleaf Rec Center</b>	<b>1 day</b>	<b>Wed 9/21/11</b>	<b>Wed 9/21/11</b>	<b>266</b>	
268	Deliver PCs to King Greenleaf	1 day	Wed 9/21/11	Wed 9/21/11		DCPL
269	Set up PCs at King Greenleaf	1 day	Wed 9/21/11	Wed 9/21/11		DCPL
270	<b>Set up PCs at Community College of DC</b>	<b>2 days</b>	<b>Thu 9/22/11</b>	<b>Fri 9/23/11</b>		
271	Deliver PCs to Community College	1 day	Thu 9/22/11	Thu 9/22/11	269	DCPL
272	Set up PCs at Community College	1 day	Fri 9/23/11	Fri 9/23/11	271	DCPL
273	<b>Upgrade Bandwidth at Northwest One Library</b>	<b>84 days</b>	<b>Mon 9/26/11</b>	<b>Thu 1/19/12</b>		
274	NW1 Northwest One Cabling	16 days	Mon 9/26/11	Mon 10/17/11	244,166	CIS
275	NW1 Northwest One Run multimedia fiber cable	7 days	Tue 10/18/11	Wed 10/26/11	274	DC NET
276	NW1 Northwest One Cross connect cable	7 days	Thu 10/27/11	Fri 11/4/11	275	DC NET
277	NW1 Northwest One Install copper cable	6 wks	Mon 11/7/11	Fri 12/16/11	276	Verizon
278	NW1 Northwest One Cross connect	14 days	Mon 12/19/11	Thu 1/5/12	277	Verizon
279	NW1 Northwest One Terminate LAN	2 days	Wed 1/18/12	Thu 1/19/12	278,304	CIS
280	<b>Set up PCs at Kimball Elementary School</b>	<b>3 days</b>	<b>Mon 9/26/11</b>	<b>Wed 9/28/11</b>		
281	Deliver PCs to Kimball Elementary	1 day	Mon 9/26/11	Mon 9/26/11	272	DCPL
282	Set up PCs at Kimball Elementary	2 days	Tue 9/27/11	Wed 9/28/11	281	DCPL
283	<b>Set up PCs at Hart Middle School</b>	<b>3 days</b>	<b>Thu 9/29/11</b>	<b>Mon 10/3/11</b>		
284	Deliver PCs to Hart Middle School	1 day	Thu 9/29/11	Thu 9/29/11	282	DCPL
285	Set up PCs at Hart Middle School	2 days	Fri 9/30/11	Mon 10/3/11	284	DCPL
286	<b>Set up PCs at Ballou High School</b>	<b>3 days</b>	<b>Tue 10/4/11</b>	<b>Thu 10/6/11</b>		
287	Deliver PCs to Ballou High	1 day	Tue 10/4/11	Tue 10/4/11	285	DCPL
288	Set up PCs at Ballou High	2 days	Wed 10/5/11	Thu 10/6/11	287	DCPL
289	<b>Upgrade Bandwidth at Palisades Library</b>	<b>68 days</b>	<b>Thu 10/20/11</b>	<b>Mon 1/23/12</b>		
290	PAL Palisades Cabling	16 days	Thu 10/20/11	Thu 11/10/11	274,187	CIS
291	PAL Palisades Run multimedia fiber cable	7 days	Fri 11/11/11	Mon 11/21/11	290	DC NET
292	PAL Palisades Cross connect cable	14 days	Tue 11/22/11	Fri 12/9/11	291	DC NET
293	PAL Palisades Install copper cable	1 mon	Mon 12/12/11	Fri 1/6/12	292	Verizon
294	PAL Palisades Cross connect	7 days	Mon 1/9/12	Tue 1/17/12	293	Verizon



ID	Task Name	Duration	Start	Finish	Predecessors	Resource Names
295	PAL Palisades Terminate LAN	2 days	Fri 1/20/12	Mon 1/23/12	294,279	CIS
296	<b>Upgrade Bandwidth at Parklands-Turner Library</b>	<b>86 days</b>	<b>Fri 11/11/11</b>	<b>Fri 3/9/12</b>		
297	PKL Parklands-Turner Cabling	30 days	Fri 11/11/11	Thu 12/22/11	290	CIS
298	PKL Parklands-Turner Run multimedia fiber cable	7 days	Fri 12/23/11	Mon 1/2/12	297	DC NET
299	PKL Parklands-Turner Cross connect cable	7 days	Tue 1/3/12	Wed 1/11/12	298	DC NET
300	PKL Parklands-Turner Install copper cable	1 mon	Thu 1/12/12	Wed 2/8/12	299	Verizon
301	PKL Parklands-Turner Cross connect	7 days	Thu 2/9/12	Fri 2/17/12	300	Verizon
302	PKL Parklands-Turner Terminate LAN	2 days	Thu 3/8/12	Fri 3/9/12	301,318	CIS
303	<b>Upgrade Bandwidth at Petworth Library</b>	<b>72 days</b>	<b>Tue 12/27/11</b>	<b>Wed 4/4/12</b>		
304	PET Petworth Cabling	16 days	Tue 12/27/11	Tue 1/17/12	297,249	CIS
305	PET Petworth Run multimedia fiber cable	7 days	Wed 1/18/12	Thu 1/26/12	304	DC NET
306	PET Petworth Cross connect cable	7 days	Fri 1/27/12	Mon 2/6/12	305	DC NET
307	PET Petworth Install copper cable	1 mon	Tue 2/7/12	Mon 3/5/12	306	Verizon
308	PET Petworth Cross connect	7 days	Tue 3/6/12	Wed 3/14/12	307	Verizon
309	PET Petworth Terminate LAN	2 days	Tue 4/3/12	Wed 4/4/12	308,325	CIS
310	<b>Upgrade Bandwidth at Southeast Library</b>	<b>70 days</b>	<b>Tue 1/24/12</b>	<b>Mon 4/30/12</b>		
311	SOE Southeast Cabling	16 days	Tue 1/24/12	Tue 2/14/12	304,295	CIS
312	SOE Southeast Run multimedia fiber cable	7 days	Wed 2/15/12	Thu 2/23/12	311	DC NET
313	SOE Southeast Cross connect cable	7 days	Fri 2/24/12	Mon 3/5/12	312	DC NET
314	SOE Southeast Install copper cable	1 mon	Tue 3/6/12	Mon 4/2/12	313	Verizon
315	SOE Southeast Cross connect	7 days	Tue 4/3/12	Wed 4/11/12	314	Verizon
316	SOE Southeast Terminate LAN	2 days	Fri 4/27/12	Mon 4/30/12	315,332	CIS
317	<b>Upgrade Bandwidth at Southwest Library</b>	<b>72 days</b>	<b>Wed 2/15/12</b>	<b>Thu 5/24/12</b>		
318	SOW Southwest Cabling	16 days	Wed 2/15/12	Wed 3/7/12	311	CIS
319	SOW Southwest Run multimedia fiber cable	7 days	Thu 3/8/12	Fri 3/16/12	318	DC NET
320	SOW Southwest Cross connect cable	7 days	Mon 3/19/12	Tue 3/27/12	319	DC NET
321	SOW Southwest Install copper cable	1 mon	Wed 3/28/12	Tue 4/24/12	320	Verizon
322	SOW Southwest Cross connect	7 days	Wed 4/25/12	Thu 5/3/12	321	Verizon
323	SOW Southwest Terminate LAN	2 days	Wed 5/23/12	Thu 5/24/12	322,339	CIS
324	<b>Upgrade Bandwidth at Takoma Park Library</b>	<b>70 days</b>	<b>Mon 3/12/12</b>	<b>Fri 6/15/12</b>		
325	TPK Takoma Park Cabling	16 days	Mon 3/12/12	Mon 4/2/12	318,302	CIS
326	TPK Takoma Park Run multimedia fiber cable	7 days	Tue 4/3/12	Wed 4/11/12	325	DC NET
327	TPK Takoma Park Cross connect cable	7 days	Thu 4/12/12	Fri 4/20/12	326	DC NET
328	TPK Takoma Park Install copper cable	1 mon	Mon 4/23/12	Fri 5/18/12	327	Verizon
329	TPK Takoma Park Cross connect	7 days	Mon 5/21/12	Tue 5/29/12	328	Verizon
330	TPK Takoma Park Terminate LAN	2 days	Thu 6/14/12	Fri 6/15/12	329,346	CIS
331	<b>Upgrade Bandwidth at Tenley-Friendship Library</b>	<b>70 days</b>	<b>Thu 4/5/12</b>	<b>Wed 7/11/12</b>		
332	TEN Tenley-Friendship Cabling	16 days	Thu 4/5/12	Thu 4/26/12	325,309	CIS
333	TEN Tenley-Friendship Run multimedia fiber cable	7 days	Fri 4/27/12	Mon 5/7/12	332	DC NET
334	TEN Tenley-Friendship Cross connect cable	7 days	Tue 5/8/12	Wed 5/16/12	333	DC NET
335	TEN Tenley-Friendship Install copper cable	1 mon	Thu 5/17/12	Wed 6/13/12	334	Verizon
336	TEN Tenley-Friendship Cross connect	7 days	Thu 6/14/12	Fri 6/22/12	335	Verizon

ID	Task Name	Duration	Start	Finish	Predecessors	Resource Names
337	TEN Tenley-Friendship Terminate LAN	2 days	Tue 7/10/12	Wed 7/11/12	336,353	CIS
338	<b>Upgrade Bandwidth at Washington Highlands Library</b>	<b>70 days</b>	<b>Tue 5/1/12</b>	<b>Mon 8/6/12</b>		
339	WAH Washington Highlands Cabling	16 days	Tue 5/1/12	Tue 5/22/12	332,316	CIS
340	WAH Washington Highlands Run multimedia fiber cable	7 days	Wed 5/23/12	Thu 5/31/12	339	DC NET
341	WAH Washington Highlands Cross connect cable	7 days	Fri 6/1/12	Mon 6/11/12	340	DC NET
342	WAH Washington Highlands Install copper cable	1 mon	Tue 6/12/12	Mon 7/9/12	341	Verizon
343	WAH Washington Highlands Cross connect	7 days	Tue 7/10/12	Wed 7/18/12	342	Verizon
344	WAH Washington Highlands Terminate LAN	2 days	Fri 8/3/12	Mon 8/6/12	343,360	CIS
345	<b>Upgrade Bandwidth at Watha T. Daniel/Shaw Library</b>	<b>59 days</b>	<b>Wed 5/23/12</b>	<b>Mon 8/13/12</b>		
346	WTD Watha T. Daniel/Shaw Cabling	16 days	Wed 5/23/12	Wed 6/13/12	339	CIS
347	WTD Watha T. Daniel/Shaw Run multimedia fiber cable	7 days	Thu 6/14/12	Fri 6/22/12	346	DC NET
348	WTD Watha T. Daniel/Shaw Cross connect cable	7 days	Mon 6/25/12	Tue 7/3/12	347	DC NET
349	WTD Watha T. Daniel/Shaw Install copper cable	1 mon	Wed 7/4/12	Tue 7/31/12	348	Verizon
350	WTD Watha T. Daniel/Shaw Cross connect	7 days	Wed 8/1/12	Thu 8/9/12	349	Verizon
351	WTD Watha T. Daniel/Shaw Terminate LAN	2 days	Fri 8/10/12	Mon 8/13/12	350	CIS
352	<b>Upgrade Bandwidth at West End Library</b>	<b>59 days</b>	<b>Mon 6/18/12</b>	<b>Thu 9/6/12</b>		
353	WEE West End Cabling	16 days	Mon 6/18/12	Mon 7/9/12	346,330	CIS
354	WEE West End Run multimedia fiber cable	7 days	Tue 7/10/12	Wed 7/18/12	353	DC NET
355	WEE West End Cross connect cable	7 days	Thu 7/19/12	Fri 7/27/12	354	DC NET
356	WEE West End Install copper cable	1 mon	Mon 7/30/12	Fri 8/24/12	355	Verizon
357	WEE West End Cross connect	7 days	Mon 8/27/12	Tue 9/4/12	356	Verizon
358	WEE West End Terminate LAN	2 days	Wed 9/5/12	Thu 9/6/12	357	CIS
359	<b>Upgrade Bandwidth at Woodridge Library</b>	<b>59 days</b>	<b>Thu 7/12/12</b>	<b>Tue 10/2/12</b>		
360	WOD Woodridge Cabling	16 days	Thu 7/12/12	Thu 8/2/12	353,337	CIS
361	WOD Woodridge Run multimedia fiber cable	7 days	Fri 8/3/12	Mon 8/13/12	360	DC NET
362	WOD Woodridge Cross connect cable	7 days	Tue 8/14/12	Wed 8/22/12	361	DC NET
363	WOD Woodridge Install copper cable	1 mon	Thu 8/23/12	Wed 9/19/12	362	Verizon
364	WOD Woodridge Cross connect	7 days	Thu 9/20/12	Fri 9/28/12	363	Verizon
365	WOD Woodridge Terminate LAN	2 days	Mon 10/1/12	Tue 10/2/12	364	CIS